

APPLICATIONS

The CPYSA provides exceptional glare control and wide distribution. This fixture is ideally suited for parking structures, storage areas, shopping area walkways, entryway, and low level security.

FEATURES & BENEFITS

- ◆ Sealed die-cast profile for indoor and outdoor applications
- ◆ Replaces 100W MH to 250W MH
- ◆ Optional bi-level motion sensor
- ◆ Ambient operating temperature -40°C to 40°C (-40°F to 113°F)
- ◆ ^cUL_{US} listed
- ◆ 5 year warranty



With Optional Emergency



With Optional Sensor

ORDERING DATA

EXAMPLE: CPYSA10-LED27DMVBZ40

CPYSA		10		LED									
Series	Size					Wattage/Lumens¹		Driver		Color Temp		Options	
CPYSA	10 10 inches					27 27 Watts 3750 Lumens	MV 120-277VAC	40 4000K ³	OS Occupancy sensor				
						40 40 Watts 5350 Lumens	DMV 120-277VAC	50 5000K	EM Emergency battery backup				
				Gear		60 60 Watts 8000 Lumens	0-10V Dimmable						
				LED				Finish²					
				LED		¹ Lumens at 4000K		BZ Bronze					

²Consult for other options

³Special order only

DLC INFORMATION

DLC Listed Fixtures			
Model Number	Color Temp	Options	DLC Listing
CPYSA10-LED27DMVBZxx	xx= 40,50	EM, OS	Premium
CPYSA10-LED27MVBZxx	xx= 40,50	EM, OS	Premium
CPYSA10-LED40DMVBZxx	xx= 40,50	EM, OS	Premium
CPYSA10-LED40MVBZxx	xx= 40,50	EM, OS	Premium



Dimensions and specifications subject to change without notice.



◆ 800-444-WATT ◆ www.mobern.com ◆
8200 Stayton Dr., Ste. 500, Jessup, MD 20794

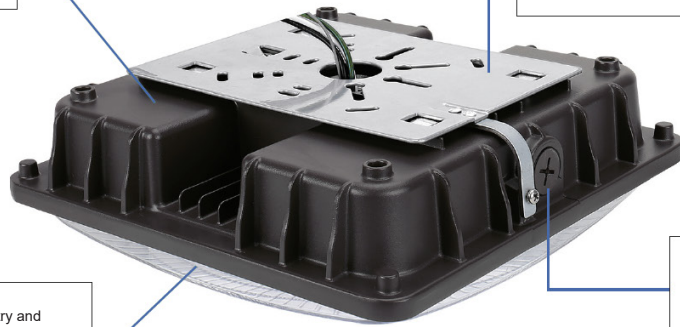
CAT#			
JOB NAME		TYPE	

Housing
One piece waterproof die-cast housing is suitable for both indoor and outdoor applications

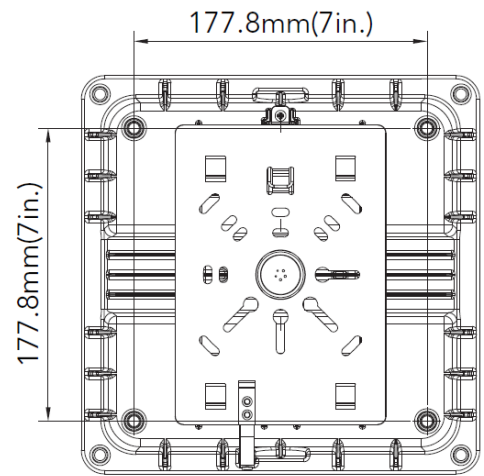
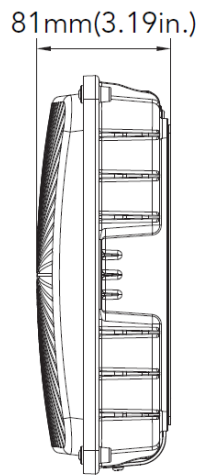
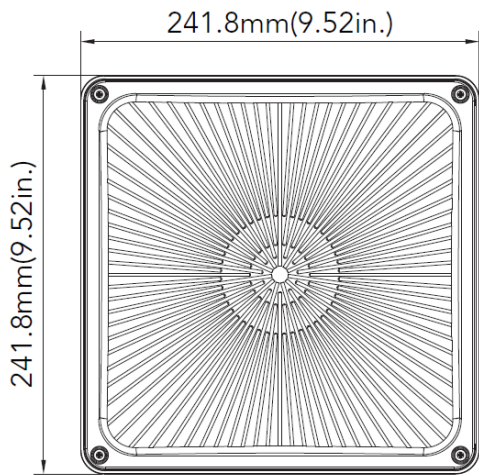
Mounting Bracket
This fixture is suitable for J-BOX or pendant mounting. Pendant mounting wires come out from the back for easier wire connections.

Photometry
Parking garage photometry and polycarbonate optical lens

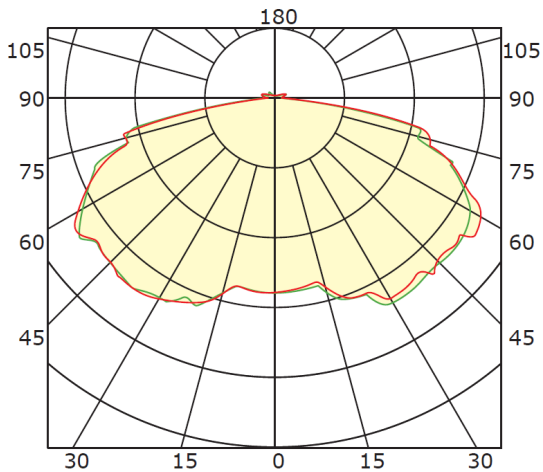
1/2inch Threaded KO
PIR sensor and Emergency Battery are also available as options.



DIMENSIONS



PHOTOMETRIC DATA



Dimensions and specifications subject to change without notice.

