

APPLICATIONS

The LED 45 degree linear strip is ideal for interior warehouse, retail, and utility areas requiring general illumination in a commercial quality strip configuration. The CL45's angled housing makes it perfect for wall and corner applications.

FEATURES & BENEFITS

- ◆ Housing is die-formed and embossed code 22 gage steel
- ◆ Finish is high reflectance baked white enamel
- ◆ Ballast covers or reflectors attach without tools to simplify ballast access
- ◆ End plate doubles as a coupler for continuous row mounts
- ◆ Surface mount chain, chain hung, double stem



ORDERING DATA

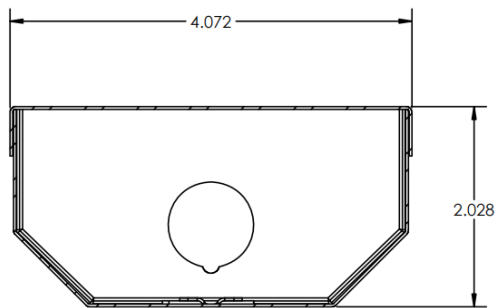
EXAMPLE: CL4524-LED28DMV40

Series		Size		LED		Wattage/Lumens		Driver		Color Temp	
CL45		24	24"	LED		24 inch		DMV		30	3000K
LED 45 Degree Linear Strip		48	48"	18	18 Watts 2500 Lumens			120-277VAC		35	3500K
		96	96"	24	24 Watts 3350 Lumens			0-10V Dimmable		40	4000K
				28	28 Watts 3700 Lumens					50	5000K
				30	30 Watts 8100 Lumens						
				48 inch							
				24	24 Watts 3500 Lumens						
				30	30 Watts 4300 Lumens						
				35	35 Watts 4900 Lumens						
				48	48 Watts 6500 Lumens						
				57	57 Watts 7800 Lumens						
				72	72 Watts 8200 Lumens						
				96 inch							
				24	24 Watts 3500 Lumens						
				48	48 Watts 6500 Lumens						
				57	57 Watts 7800 Lumens						
				70	70 Watts 9800 Lumens						
				97	97 Watts 13000 Lumens						
				118	118 Watts 15500 Lumens						

Options

WP	6 ft. 3 wire 18 gauge whip
WP4	6 ft. 4 wire 18 gauge whip
EM	10W, 1200 lumen battery backup
EM5	5W, 600 lumen battery backup
EM7	7W, 840 lumen battery backup
Plug In System Options	
PI1	3 wire harness, including white, black, and green
PI2	4 wire harness, including white, black, green, and blue for emergency battery backup
PI3D	5 wire harness, including white, black, green, violet, and gray

DIMENSIONS



Dimensions and specifications subject to change without notice.

