

APPLICATIONS

The linear ATP-LED Linear fixture is for distinctive architectural lighting plans. Ideal for corridors, lobbies and office areas. The ATP Series fixtures can be installed individually or in group patterns.

FEATURES & BENEFITS

- ◆ Architectural pendant LED fixture
- ◆ Slim linear design
- ◆ Post powder painted in matte white polyester
- ◆ Suitable for individual or continuous run installations
- ◆ End caps available in blue, black, or white
- ◆ Joiner available in blue or white
- ◆ Frosted acrylic diffuser with 80% light transmission
- ◆ Easy to remove diffuser without any tools
- ◆ cETL_{us} listed



ORDERING DATA

EXAMPLE: ATPFR48-LED24DMVWHBK40

Series	Size	Gear	Wattage/Lumens	Driver	Finish	End Cap	Color Temp	Configuration
ATP Architectural Trapezoidal Pendant	48 48"	LED	24 24 Watts 2050 Lumens 34 34 Watts 3150 Lumens 43 43 Watts 4000 Lumens 57 57 Watts 5100 Lumens	DMV 120-277VAC 0-10V Dimming	WH White	BL Blue BK Black WH White	30 3000K 35 3500K 40 4000K 50 5000K	Blank Individual -B Beginner Run -E Ender Run -J Joiner
Lens								
FR Frosted Lens								

Options

HC301WH	Cable kit with 4 cable + power feed cable incl. w/ white canopy
HC301WH5W	Cable kit with 4' cable + power feed 0-10V dimming cable included w/ white canopy (5 wire)
HC302WH	Cable kit w/ 12' cable + power feed cable incl. w/ white canopy
HC302WH5W	Cable kit w/ 12' cable + power feed 0-10V dimming. Cable included with white canopy (5 wire)
2SCS24WH	Two stem kits w/ 24" stem, canopy and mounting hardware for a 4' fixture

Plug In System Options

PI1	3 wire harness, including white, black, and green
PI2	4 wire harness, including white, black, green, and blue for emergency battery backup
PI3D	5 wire harness, including white, black, green, violet, and gray

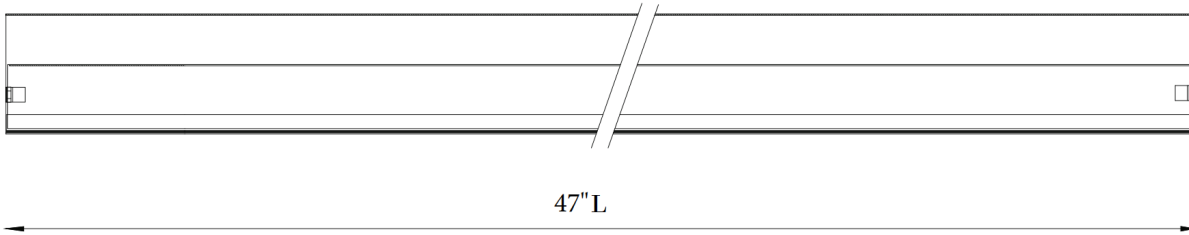
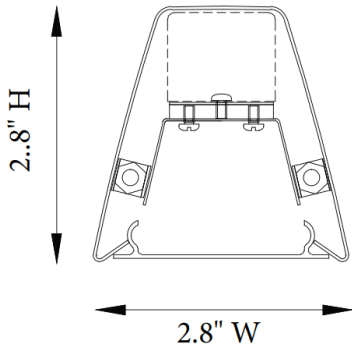
ACCESSORIES

ATPJOINBL	Blue Joiner
ATPJOINBK	Black Joiner
ATPJOINWH	White Joiner

Dimensions and specifications subject to change without notice.



DIMENSIONS



Dimensions and specifications subject to change without notice.



CAT#			
JOB NAME		TYPE	