

APPLICATIONS

Specification grade fixture, sealed aluminum extrusion with lens for outdoor applications. The AOD series is a durable fixture used in both parking and commercial / retail outdoor areas for sign and walkway lighting.

FEATURES & BENEFITS

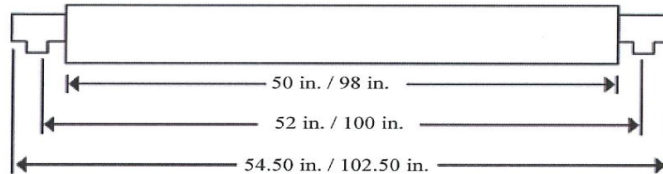
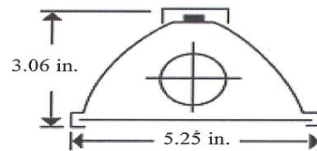
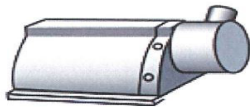
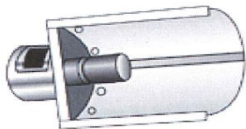
- ◆ 5.25W x 3.06H inches
- ◆ Min CRI 82
- ◆ Available in 48 and 96 inch nominal lengths.
- ◆ Aluminum extrusion with white interior and cast aluminum end plates.
- ◆ Smooth, clear acrylic diffuser/lens
- ◆ Fixtures may be coupled for continuous runs without additional accessories
- ◆ Typically mounted on conduit



ORDERING DATA

EXAMPLE: AOD48LED48DMV30

AOD		LED						
Series	Size	Gear	Wattage / Lumens		Driver		Color Temp	
AOD	48	48 inch	48 inch		DMV	120-277V 0-10V Dimmable Multivolt 120V-277V	30	3000K
	96	96 inch	32	32 watts 3200 Lumens			MV	35
			48	48 watts 4800 Lumens			40	4000K
			57	57 watts 5700 Lumens			50	5000K
			96 inch					
			65	65 watts 6500 Lumens				
			96	96 watts 9600 Lumens				
			114	114 watts 11400 Lumens				

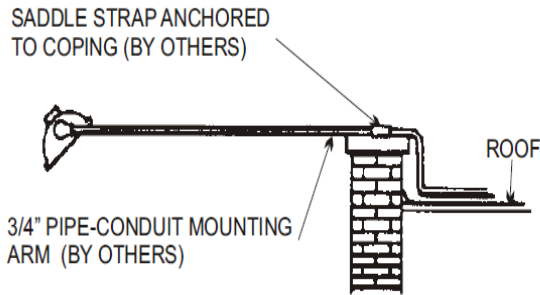


Dimensions and specifications subject to change without notice.



TYPICAL INSTALLATIONS

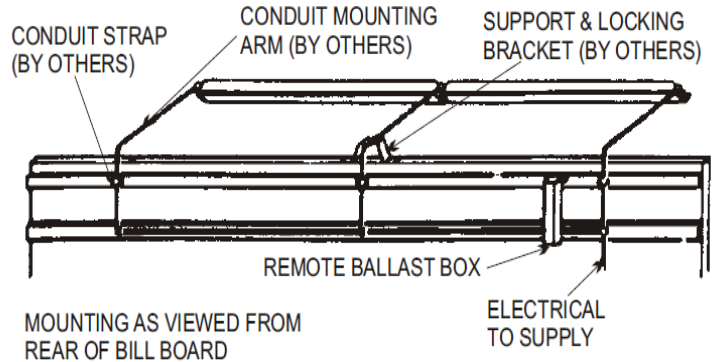
BUILDING MOUNTING



BUILDINGS

A natural for store-front and service station lighting. With this unit the store-front or service station is lighted uniformly from roof to grade.

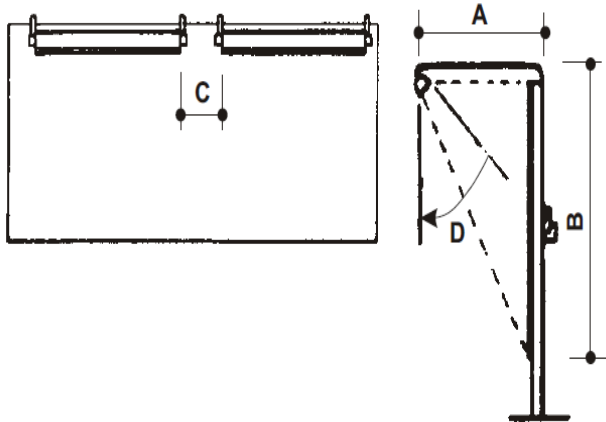
BILLBOARD MOUNTING



BILLBOARDS

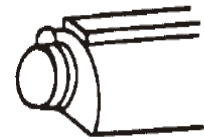
Balanced high light output gives the advertising message greater impact. Copy and illustrations stand out and color distortion is virtually eliminated. Complete vertical surface is covered with a minimum of graduation and "hot spots" are eliminated.

LUMINAIRE SPACING AND MOUNTING

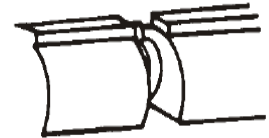


1. Dim. C should not exceed dimensions of A.
2. Dim. B should be twice the dimension of A.
3. If Dim. B exceeds 15 ft. then luminaires should be installed at top and bottom of area to be illuminated.
4. Angle of Dim. D should be 45° if dimensions are as outlined in paragraph No. 2. If Dim. A is four times less than Dim. B then angle should be 22.5°.

INDIVIDUAL



CONTINUOUS RUN



Dimensions and specifications subject to change without notice.



800-444-WATT ♦ www.mobern.com ♦

8200 Stayton Dr., Ste. 500, Jessup, MD 20794

CAT#

JOB NAME

TYPE