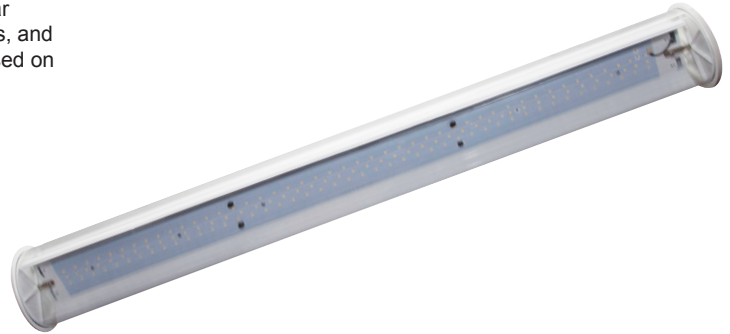


APPLICATIONS

The AquaGuard pendant and wall mount luminaire is available with a clear micro prism extruded polycarbonate lens designed to replace linear T5HO and T8 lighting tube style systems. Wet location, wash down IP66-rated enclosure with stainless steel hardware is ideal for harsh environments with regular moisture or wash down requirements including car washes, indoor pools, and industrial applications. Mounting heights of 8 to 18 feet can be used based on light level and uniformity requirements.

FEATURES & BENEFITS

- ◆ Suspension mount with included stainless steel ceiling brackets and stainless steel chains 12ga, 9¹/₂" long
- ◆ Ambient operating temperature -40°C to +40°C
- ◆ L₇₀ > 187000 hrs at 25°C
- ◆ Min CRI 80
- ◆ CSA_{US} listed for wet locations
- ◆ IP66 rated
- ◆ 5 year warranty
- ◆ Extruded Clear Acrylic Housing with Prismatic Lens Area
- ◆ White Polycarbonate Gasketed End Caps, Suitable for Wash-Down Applications
- ◆ Includes Liquid-Tight Strain Relief and 4' 16/3 STW Black Cordset with Stripped Ends

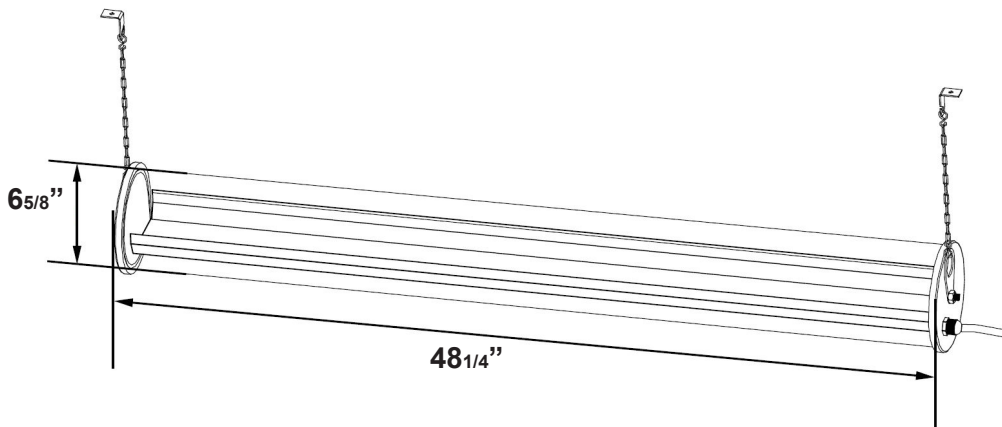


ORDERING DATA

EXAMPLE: AGR48LED52DMVWH50

AGR		LED		Wattage/Lumens		Driver		Finish		Color Temp		Options	
Series	Size	Gear											
AGR LED Aqua Guard	48 48.25 in	LED		52	52 watts 6888 lumens	DMV	120-277VAC 0-10V Dimmable	WH	White	50	5000K	SF	Single fuse
												DF	Double Fuse
												SP	Surge Protection

DIMENSIONS



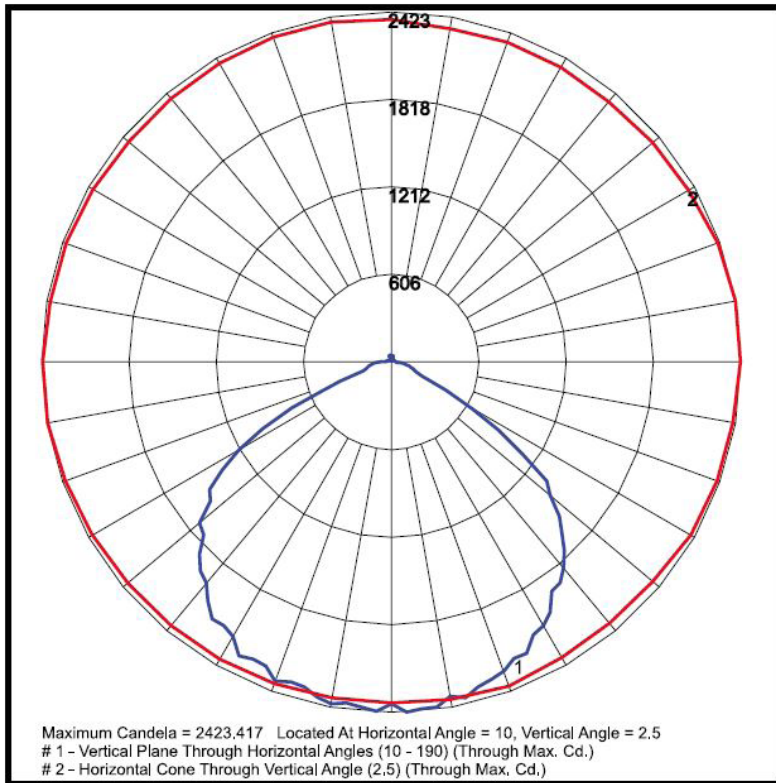
Dimensions and specifications subject to change without notice.



◆ 800-444-WATT ◆ www.mobern.com ◆
8200 Stayton Dr., Ste. 500, Jessup, MD 20794

CAT#	
JOB NAME	
TYPE	

PHOTOMETRIC DATA



PROJECTED LUMEN MAINTENANCE

DATA SHOWN FOR 5000 CCT		COMPARE TO MH				
TM-21-11	INPUT WATTS	INITIAL	25,000 HRS	50,000 HRS	100,000 HRS	Calculated L70 @ 25°C
L70 LUMEN MAINTENANCE @ 25°C/ 77°F	55	1.00	.96	.92	.84	187,000
TM-21-11	INPUT WATTS	INITIAL	25,000 HRS	50,000 HRS	100,000 HRS	Calculated L70 @ 50°C
L70 LUMEN MAINTENANCE @ 25°C/ 77°F	55	1.00	.94	.87	.75	118,000
TM-21-11	INPUT WATTS	INITIAL	25,000 HRS	50,000 HRS	100,000 HRS	Calculated L70 @ 40°C
L70 LUMEN MAINTENANCE @ 25°C/ 77°F	55	1.00	.95	.89	.78	92000

Dimensions and specifications subject to change without notice.



◆ 800-444-WATT ◆ www.mobern.com ◆
 8200 Stayton Dr., Ste. 500, Jessup, MD 20794

CAT#			
JOB NAME		TYPE	