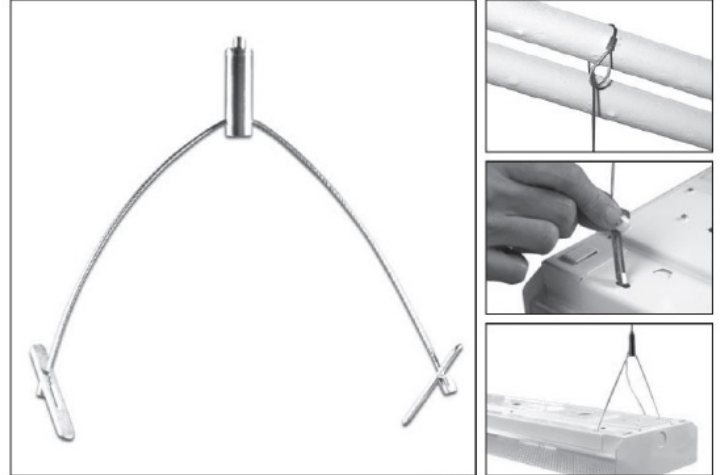


APPLICATIONS

Lighting grippers and suspension kits from Mobern offer value, versatility and field adjustability. Featuring the latest technology in ceiling fixture suspension, Mobern's systems are both durable and flexible. Fixtures can be raised and lowered on the suspension wire for fast, cost-effective installation and easy adjustment, with significantly lower labor cost. These yoke and toggle suspension kits are crafted from quality materials such as a galvanized steel cable, brass gripper body, and stainless steel ball bearings. Each gripper is capable of supporting up to 55 pounds, and each complete kit includes 2 gripper assemblies and cable sets in order to hang a complete fixture with one kit. This kit is ideal for use with high bay hanging and general fixture hanging.

FEATURES & BENEFITS

- ◆ Hanging system specifically designed with high bay hanging in mind
- ◆ Capable of capturing any spread up to approximately 15"
- ◆ Designed to allow easy fixture height adjustment at the fixture
- ◆ Toggles will work with virtually any slot or hole dimensions
- ◆ Cables are pre-looped at end for easy installation. Simply throw the cable over the strut, feed through the end loop, and cinch to secure.
- ◆ Maximum weight of 55 pounds per gripper
- ◆ Galvanized steel cable included
- ◆ Silver Finish

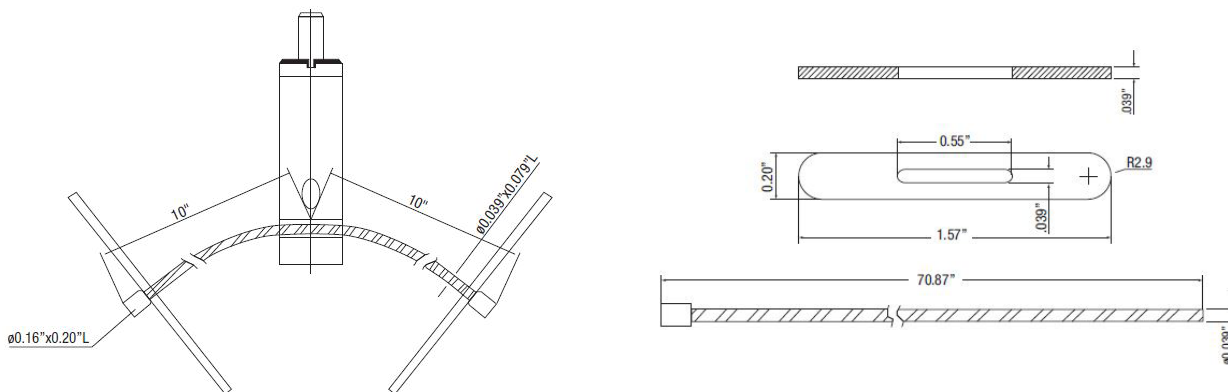


ORDERING DATA

EXAMPLE: AC120-TOGGLE-2PK

AC120-TOGGLE-2PK	10' integrated gripper with yoke and toggle stops, cable kit included
AC180-TOGGLE-2PK	15' integrated gripper with yoke and toggle stops, cable kit included

Dimensions



Dimensions and specifications subject to change without notice.