

APPLICATIONS

The **Mobern Series 79** is a commercial grade narrow surface mounted bracket luminaire for use in indoor applications such as bathrooms, stairwells, hallways and other areas requiring a multi-purpose fixture.

FEATURES & BENEFITS

- ◆ Post chrome plated steel housing, standard
- ◆ Optional white enamel housing
- ◆ White opal acrylic wraparound diffuser
- ◆ Screw fastened end caps secure diffuser in place
- ◆ Available in one lamp configuration
- ◆ Individual or continuous row application
- ◆ UL listed for damp location



SPECIFICATIONS

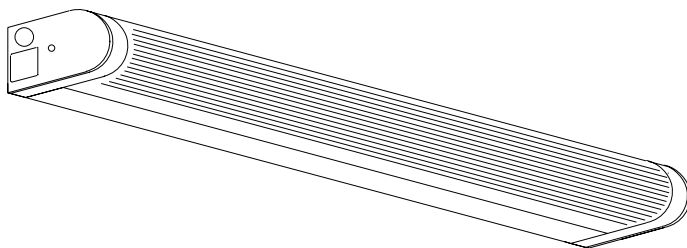
Housing and end caps are die-formed from cold rolled steel. Finish is post chrome plated on housing and end caps. Diffuser is retained by a grooved formation running the length of the fixture and is held in place on both ends by screw fastened end caps for a clean look and for easy access to the fixture during maintenance. End caps may be removed for continuous row mounting with the use of optional contour band. Mounts over electrical junction box. Mounting holes are provided. Soft matte opal white acrylic diffuser provides an even illumination. Listed by and bears UL label.

ORDERING DATA

EXAMPLE: 79132WMV

79											
Series	No. Of Lamps	Lamp Type		Ballast		Housing Type		Options	Accessories		
79	1	15	18" 15WT8	MV	Multi-Volt, 120-277	C	Chrome (STD)	See Options & Accessories Page	See Options & Accessories Page		
Multi-Purpose Bracket	1 Lamp (per cross section)	17	24" 17WT8	120	Elec. 120V	W	White				
		25	36" 25WT8	277	Elec. 277V						
		32	48" 32WT8	R120	Residential 120V						
				PMV	Program Multi-Volt						
				SDMV	Step Dimming Multi-Volt						

LINE ART



OPTIONS

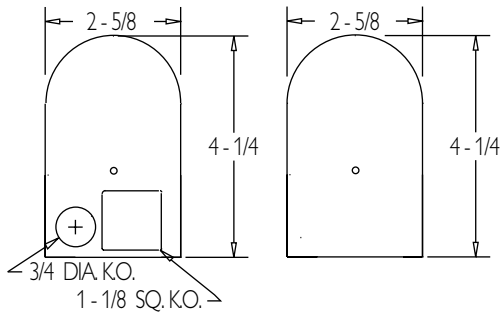
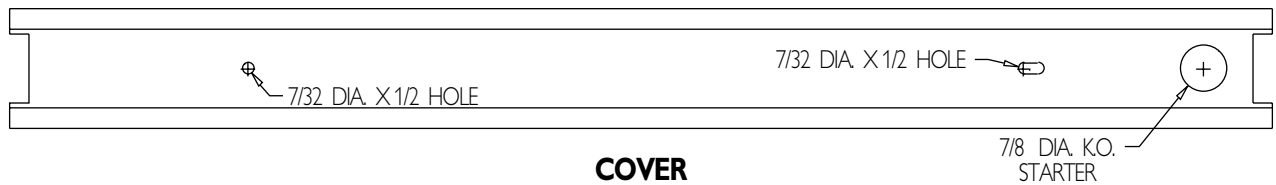
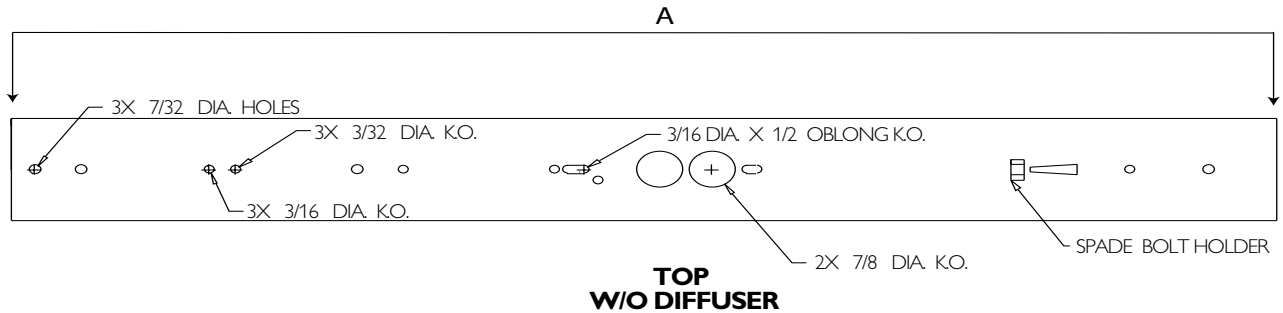
- B1** T8/T5 1L 500 Lumens Battery Backup (B11)
- B2** T8/T5 1L/2L 700 Lumens Battery Backup (B48)
- 11** Dual Ballasts 1 Lamp + 1 Lamp
- RIF** Radio Interference Filter

*Lamps can be sold and shipped on side.
Order separately A102 (Contour Band).
Call for additional options.

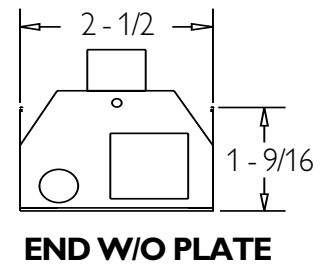
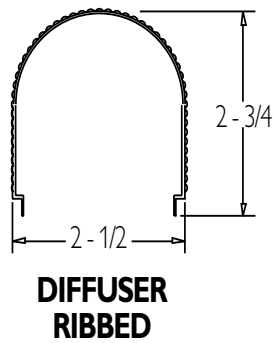
Dimensions and specifications subject to change without notice.

CAT#	
JOB NAME	TYPE

DIMENSIONS



STANDARD PAIR IS ONE PLAIN AND ONE WITH KOS



T8	
Size	Length (A)
(1) 15W	18 1/4"
(1) 17W	24 1/4"
(1) 25W	36 1/4"
(1) 32W	48 1/4"

Dimensions and specifications subject to change without notice.