
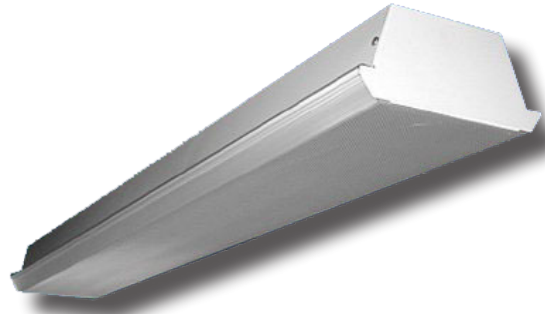


APPLICATION

Narrow body energy efficient wrap for commercial and institutional facilities.
Ideal for replacing existing strip louver lighting in educational facilities.

FEATURES & BENEFITS

- ◆  Technology - **Post Powder Paint**
- ◆ > 90% reflectivity
- ◆ Corrosion and scratch resistant
- ◆ Smooth edges for easy handling
- ◆ Nominal 9" width
- ◆ Clear acrylic diffuser with prismatic bottom and ribbed linear sides
- ◆ Diffuser self-aligns and hinges from either side for easy maintenance
- ◆ Available in lengths of 48 and 96 inches - (4' & 8' lengths)
- ◆ Easy re-lamping and re-ballasting
- ◆ Single or continuous row mounting capability
- ◆ Surface, stem or chain mountable
- ◆ Every fixture individually tested
- ◆ **UL** listed for damp location



SPECIFICATIONS

Housing and ends are die-formed and embossed from cold rolled steel. Finish is high reflectance **P3 - Post Powder Paint**. Inspection knockouts provided for mounting to junction box. Ballast cover snaps into place eliminating the need for tools when accessing the ballast. Diffuser hinges from either side in a snap on manner and is self-centering. End caps may be butted together for continuous row mounting. Narrow design provides spacing for cooler operation. Knockouts are provided for stem mounting. Listed by and bears **UL** label.

ORDERING DATA

EXAMPLE: 774 2 32 ELO DT B1

774

Series	# of Lamps	Lamp Size	Ballast Type	Voltage	Options*
774	1	1 Lamp	MV Multivolt 120-277V	Blank Not specified 277 277 Volt	B1 Battery backup 1 lamp B2 Battery backup 2 lamp L41 Lamp included (T5/T8-4100K) L35 Lamp included (T5/T8-3500K) RIF Radio interference filter 11 Dual Ballast 2 lamp
	2	2 Lamp	LED** Wired 1 end hot for T8 LED tubes		
	3	3 Lamp	LED2E** Wired 2 ends hot for T8 LED tubes		
		32 48" T8 32TAN 48" T8 54 46" T5HO 54TAN 46" T5HO			

**Assembled with no ballast, made for UL Listed, self ballasted retrofit T8 LED lamps

*Call for additional options

**See chart below for whip & cord ordering options

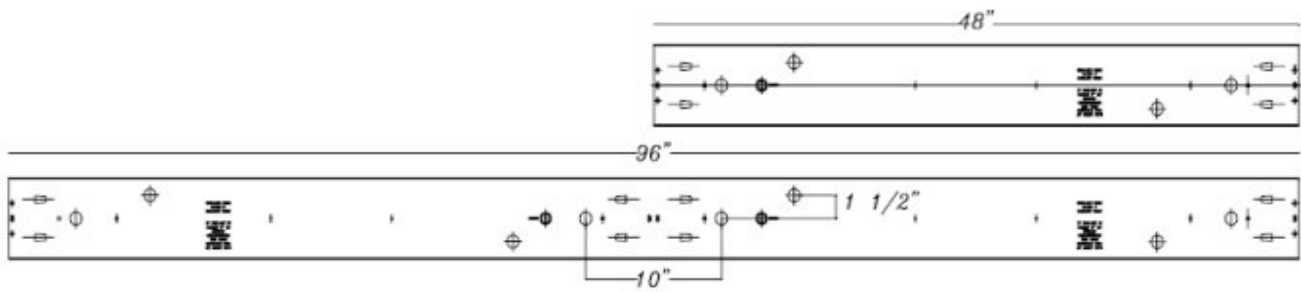
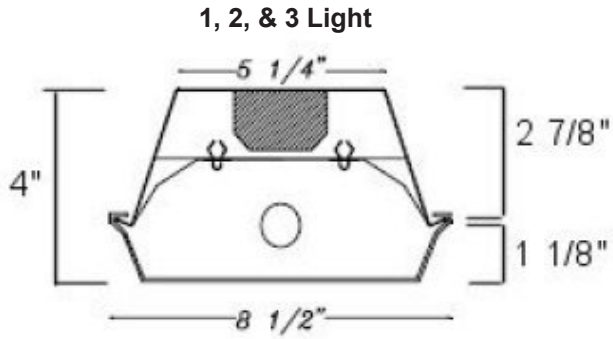
****Cord & Whip Ordering Chart (Add to End of Fixture Part Number)**

Part No.	# of Wires	Length	End Fitting	Finish	Voltage	Amps (TL Only)
WP - Whip CS - Cordset	(Blank) 3 Wire 4 - 4 Wire 5 - 5 Wire 6 - 6 Wire	(Blank) 6 feet 8 - 8 feet 10 - 10 feet 12 - 12 feet 15 - 15 feet	(Blank) No Plug P* - Standard Plug TL* - Twist Lock	BK - Black WH - White	(Blank) 120-277V 120 - 120V 277 - 277V 347 - 347V 480 - 480V	15 - 15 Amps 20 - 20 Amps

Dimensions and specifications subject to change without notice.



DIMENSIONS



Dimensions and specifications subject to change without notice.



◆ 800-444-WATT ◆ www.mobern.com ◆
8200 Stayton Dr., Ste. 500, Jessup, MD 20794

CAT#			
JOB NAME		TYPE	