

APPLICATIONS

Economically designed narrow wraparound provides reliable and efficient lighting. Ideal for use in indoor applications such as homes, modular homes, mobile homes, stores and public building where low glare and ease of installation is required.

FEATURES & BENEFITS

- ◆ Min CRI 82
- ◆ Corrosion and scratch resistant
- ◆ Nominal 9" width with a shallow design
- ◆ Clear acrylic diffuser with prismatic bottom and ribbed linear sides
- ◆ Diffuser self-aligns and hinges from either side for easy maintenance
- ◆ Available in lengths from 24 to 48 inches - (2' & 4' lengths)
- ◆ Single or continuous row mounting capability
- ◆ Surface, stem or chain mountable
- ◆ ETL Listed for damp location



SPECIFICATIONS

Housing and ends are die-formed and embossed from cold rolled steel. Inspection knockouts provided for mounting to junction box. Driver cover snaps into place eliminating the need for tools when accessing. Diffuser hinges from either side in a lift and shift manner and is self-centering. End caps may be butted together for continuous row mounting. Knockouts are provided for stem mounting.

ORDERING DATA

EXAMPLE: 770-48LED48DMV40

770

Series	Size	Gear	Wattage/Lumens	Driver	Lens	Color Temp	Options		
770 LED Premium Wrap	24 24 inch	LED	24"		(Blank) Clear	30 3000K	WP 6' whip, 3 wire EM 10W, 1200 Lumen Battery backup EM5 5W, 600 Lumen Battery backup EM7 7W, 840 Lumen Battery backup		
	48 48 inch		12 12 Watts 1665 Lumens	DMV 120-277V Multivolt 0-10V Dimmable				FR Frosted	35 3500K
			18 18 Watts 2420 Lumens	SDMV Step dimming Multivolt					
			24 24 Watts 3135 Lumens	DHV 347-480VAC 0-10V Dimming	50 5000K				
			28 28 Watts 3465 Lumens	D347V 347VAC 0-10V Dimming					
			30 30 Watts 3630 Lumens	D120 Triac Dimming 120VAC					
			48"		D277 Triac Dimming 277VAC				
			23 23 Watts 2650 Lumens						
			32 32 Watts 3450 Lumens						
			35 35 Watts 3800 Lumens						
			48 48 Watts 5100 Lumens						
			56 56 Watts 6000 Lumens						
			72 72 Watts 8200 Lumens						

Consult factory for step dimming and Triac dimming options

*See chart below for whip & cord ordering options

*Cord & Whip Ordering Chart (Add to End of Fixture Part Number)

Part No.	# of Wires	Length	End Fitting	Finish	Voltage	Amps (TL Only)
WP - Whip	(Blank) 3 Wire	(Blank) 6 feet	(Blank) No Plug	BK - Black	(Blank) 120-277V	15 - 15 Amps
CS - Cordset	4 - 4 Wire	8 - 8 feet	P* - Standard Plug	WH - White	120 - 120V	20 - 20 Amps
	5 - 5 Wire	10 - 10 feet	TL* - Twist Lock		277 - 277V	
	6 - 6 Wire	12 - 12 feet			347 - 347V	
		15 - 15 feet			480 - 480V	

Dimensions and specifications subject to change without notice.



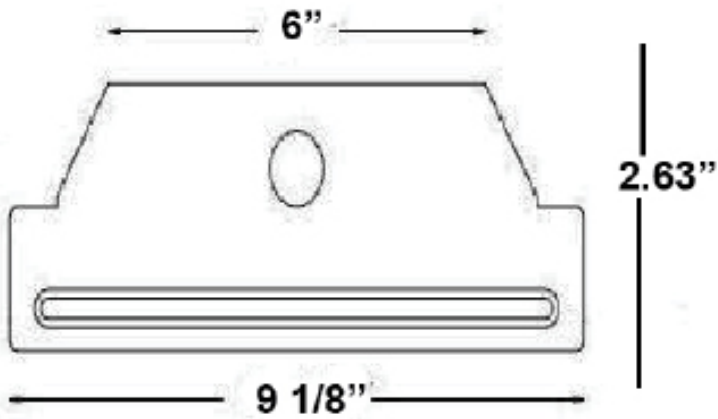
◆ 800-444-WATT ◆ www.mobern.com ◆
8200 Stayton Dr., Ste. 500, Jessup, MD 20794

CAT#

JOB NAME

TYPE

DIMENSIONS



DLC Listed

770-48LED23DMVxx	xx=30,35,40,50
770-48LED35DMVxx	xx=30,35,40,50
770-48LED48DMVxx	xx=30,35,40,50
770-48LED56DMVxx	xx=30,35,40,50

Dimensions and specifications subject to change without notice.



◆ 800-444-WATT ◆ www.mobern.com ◆
8200 Stayton Dr., Ste. 500, Jessup, MD 20794

CAT#		
JOB NAME		TYPE