

APPLICATIONS

Economically designed narrow wraparound provides reliable and efficient lighting. Ideal for use in indoor applications such as homes, modular homes, mobile homes, stores and public buildings where low glare and ease of installation is required.

FEATURES & BENEFITS

- ◆ Nominal 8" width with a shallow design
- ◆ Clear acrylic diffuser with prismatic bottom and ribbed linear sides
- ◆ Diffuser self-aligns and hinges from either side for easy maintenance
- ◆ Available in lengths from 24 to 48 inches - (2' & 4' lengths)
- ◆ Standard two lamp configuration
- ◆ Easy re-lamping and re-ballasting
- ◆ Single or continuous row mounting capability
- ◆ Surface, stem or chain mountable
- ◆ Every fixture individually tested
- ◆ **UL** listed for damp location



SPECIFICATIONS

Housing and ends are die-formed and embossed from cold rolled steel. Finish is high reflectance baked white enamel. Inspection knockouts provided for mounting to junction box. Ballast cover snaps into place eliminating the need for tools when accessing the ballast. Diffuser hinges from either side in a lift and shift manner and is self-centering. End caps may be butted together for continuous row mounting. Narrow design provides spacing for cooler operation. Knockouts are provided for stem mounting. Listed by and bears **UL** label.

ORDERING DATA

EXAMPLE: 769 2 32 MV B1

769

| Series | # of Lamps | Lamp Type | Ballast Type | Options |
|------------|------------|-------------|---|---|
| 769 | 1 1 Lamp* | 14 22" T5 | MV Electronic 120V to 277V | B1 T8/T5 1L 500 Lumens Battery Backup (B11) |
| | 2 2 Lamp | 17 24" T8 | DMV 120-277 VAC, 0-10V Dimmable, Triac Dimmable, Multivolt | B2 T8/T5 1L/2L 700 Lumens Battery Backup (B48) |
| | 3 3 Lamp* | 21 34" T5 | R120 Residential Electronic 120V | B3 T8/T5 1L/2L 1400 Lumens Battery Backup (B223) |
| | 4 4 Lamp | 24 22" T5HO | PMV Program Start Multivolt | B51 T5HO 1L 500 Lumens Battery Backup (B625) |
| | | 25 36" T8 | LED** Wired 1 end hot for T8 LED tubes | B52 T5HO 1L 800 Lumens Battery Backup (B585) |
| | | 28 46" T5 | LED2E** Wired 2 ends hot for T8 LED tubes | B53 T5HO 1L 1300 Lumens Battery Backup (B626) |
| | | 32 48" T8 | ** Assembled with no ballast, made for UL Listed, self ballasted retrofit LED lamps | 11 Dual Ballasts 1 Lamp + 1 Lamp |
| | | 39 36" T5HO | | 21 Dual Ballasts 2 Lamp + 1 Lamp |
| | | 54 46" T5HO | | 22 Dual Ballasts 2 Lamp + 2 Lamp |
| | | | | 31 Dual Ballasts 3 Lamp + 1 Lamp |
| | | | RIF Radio Interference Filter | |

***See chart below for whip & cord ordering options

***Cord & Whip Ordering Chart (Add to End of Fixture Part Number)

| Part No. | # of Wires | Length | End Fitting | Finish | Voltage | Amps (TL Only) |
|---------------------|----------------|----------------|---------------------------|-------------------|------------------|----------------|
| WP - Whip | (Blank) 3 Wire | (Blank) 6 feet | (Blank) No Plug | BK - Black | (Blank) 120-277V | 15 - 15 Amps |
| CS - Cordset | 4 - 4 Wire | 8 - 8 feet | P* - Standard Plug | WH - White | 120 - 120V | 20 - 20 Amps |
| | 5 - 5 Wire | 10 - 10 feet | TL* - Twist Lock | | 277 - 277V | |
| | 6 - 6 Wire | 12 - 12 feet | | | 347 - 347V | |
| | | 15 - 15 feet | | | 480 - 480V | |

* Call factory for additional options

* Lamps purchased separately

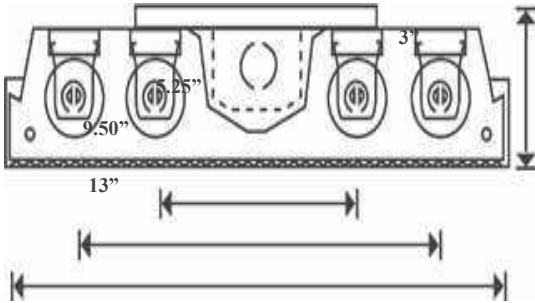
Dimensions and specifications subject to change without notice.



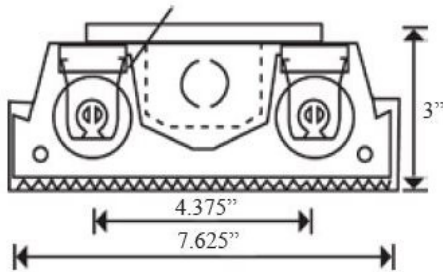
DIMENSIONS

END VIEWS

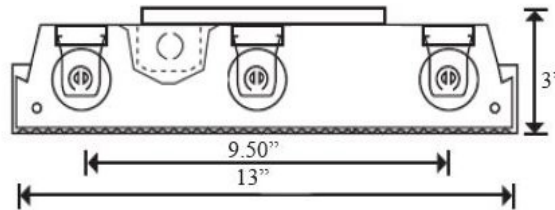
4-Light



2-Light Slide on Socket Mount



3-Light



Performance Levels

| Ballast | | | |
|--------------------|---|-------------------------------|-------------------------------|
| Manufacturer | Standard - Leave blank if no preference | High Efficiency Instant Start | High Efficiency Program Start |
| Advance (A) | Centium ICN (A) | Optanium (AL, AN, AH) | Optanium PS (APL, APN ???) |
| GE (G) | Proline GE (G) | UltraMax (GL, GN, GH) | UltraStart (GPL, GPH, GPH) |
| Osram/Sylvania (S) | Quicktronic Pro (S) | Quicktronic QHE (SL, SN, SH) | ProStart (SPL, SPN, SPH) |
| Universal (U) | ULT STD Electronic (U) | HP Electronic (UL, UN, UH) | AccuStart (UPI, UPN, UPH) |

Brands

| Code No. | Description |
|----------|------------------|
| A | Advance |
| G | GE Ballast |
| L | Lutron |
| S | Sylvania Ballast |
| U | Universal |

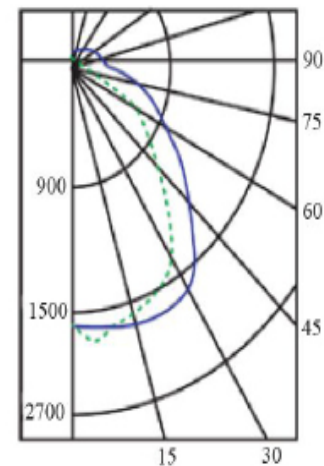
Photometrics

Calculated using the zonal cavity method in accordance with IESNA LM41 procedure. Lamp configurations shown are typical. Photometric data on these and other configurations available upon request.

Coefficients of Utilization

| Floor | 20% | 20% | 20% | 20% | 20% | 20% | 20% | 20% | 20% | 20% | 20% | 20% | 20% | 20% | 20% | 20% | |
|---------|-----|---------------------------|-----|-----|-----|-----|-------------------------------------|-----|-----|-----|-----|-----|-----|-----|-----|-----|----|
| Ceiling | 80% | 80% | 80% | 80% | 70% | 70% | 70% | 70% | 50% | 50% | 50% | 30% | 30% | 30% | 10% | 10% | |
| Wall | 70% | 50% | 30% | 10% | 70% | 50% | 30% | 10% | 50% | 30% | 10% | 50% | 30% | 10% | 50% | 30% | |
| RCR | | Zonal cavity coefficients | | | | | | | | | | | | | | | |
| | | 209 | | | | | Spacing ratio. Along 1.2 Across 1.4 | | | | | | | | | | |
| 1 | 78 | 74 | 71 | 68 | 75 | 72 | 69 | 66 | 67 | 65 | 63 | 63 | 62 | 60 | 60 | 58 | 57 |
| 2 | 71 | 65 | 60 | 56 | 68 | 63 | 58 | 54 | 59 | 55 | 52 | 56 | 53 | 50 | 53 | 50 | 48 |
| 3 | 65 | 57 | 52 | 47 | 63 | 56 | 50 | 46 | 53 | 48 | 44 | 50 | 46 | 43 | 47 | 44 | 41 |
| 4 | 60 | 51 | 45 | 40 | 57 | 50 | 44 | 39 | 47 | 42 | 38 | 44 | 40 | 37 | 42 | 39 | 36 |
| 5 | 54 | 45 | 39 | 34 | 52 | 44 | 38 | 33 | 42 | 36 | 32 | 39 | 35 | 32 | 37 | 34 | 31 |
| 6 | 50 | 40 | 34 | 29 | 48 | 39 | 33 | 29 | 37 | 32 | 28 | 36 | 31 | 27 | 34 | 30 | 27 |
| 7 | 46 | 36 | 30 | 26 | 45 | 35 | 30 | 25 | 34 | 28 | 25 | 32 | 27 | 24 | 31 | 26 | 23 |
| 8 | 43 | 33 | 26 | 22 | 41 | 32 | 26 | 22 | 30 | 25 | 21 | 29 | 24 | 21 | 28 | 23 | 20 |
| 9 | 39 | 29 | 23 | 19 | 38 | 29 | 23 | 19 | 27 | 22 | 19 | 26 | 21 | 18 | 25 | 21 | 18 |
| 10 | 36 | 27 | 21 | 17 | 35 | 26 | 21 | 17 | 25 | 20 | 16 | 24 | 19 | 16 | 23 | 19 | 16 |

Distribution Curve



Dimensions and specifications subject to change without notice.



800-444-WATT ♦ www.mobern.com ♦

8200 Stayton Dr., Ste. 500, Jessup, MD 20794

CAT#

JOB NAME

TYPE