

APPLICATIONS

Angled LED chrome fixtures provide softly angled light. Designed for bathrooms, kitchens, bulletin boards and above vanity mirrors.

FEATURES & BENEFITS

- ◆ Post chrome plated steel housing is standard
- ◆ Smooth white opal acrylic wraparound diffuser
- ◆ Single or continuous row mounting with optional contour band
- ◆ Highest quality long life LED
- ◆ Double the life expectancy of fluorescent technology
- ◆ Optional white enamel finish available
- ◆ Every fixture individually tested
- ◆ ETL Listed for damp locations
- ◆ Made in USA



SPECIFICATIONS

Housing and ends are die-formed from cold rolled steel. Finish is post chrome plated on housing and end caps. One piece end caps fasten with single acorn type nut. Extruded white translucent acrylic diffuser provides soft illumination. Diffuser is retained by a grooved formation running the length of the fixture and is held in place by the end caps. Mounting holes are provided. Mounts over electrical junction box. Knockouts are provided for flexible conduit attachment. Optional decorative contour bands are available when units are row mounted.

ORDERING DATA

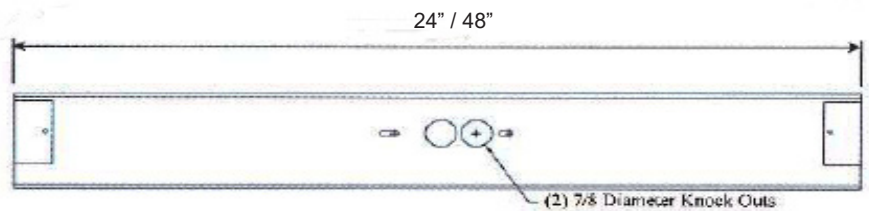
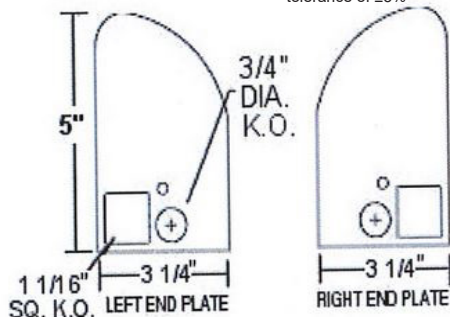
EXAMPLE: 74-24LED24DMV30

Series	Size	Gear	Wattage & Lumens	Housing	Driver*	Color Temp	Options
74	24 24 inch 48 48 inch	LED	2 ft. 24 24 Watts 2250 Lumens 28 28 Watts 2550 Lumens 4 ft. 24 24 Watts 2250 Lumens 48 48 Watts 4500 Lumens 57 57 Watts 5100 Lumens	--- Chrome (std) WH White	DMV Multivolt 120-277VAC 0-10V Dimmable SDMV Step Dimming 120-277VAC 100%-40%	30 3000K 35 3500K 40 4000K 50 5000K	PS1 Single position pull chain Consult factory for options

*Consult for Triac dimming

ACCESSORY	
A99	Convenience outlet

Lumens are subject to a tolerance of ±10%
Wattage is approximate and subject to a tolerance of ±5%



Dimensions and specifications subject to change without notice.



◆ 800-444-WATT ◆ www.mobern.com ◆
8200 Stayton Dr., Ste. 500, Jessup, MD 20794

CAT#

JOB NAME

TYPE