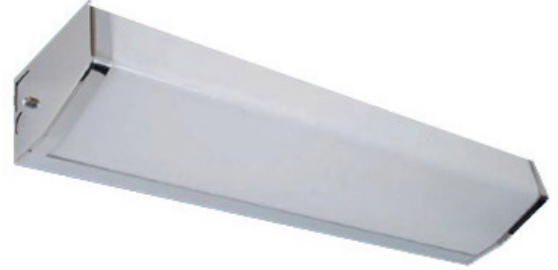


APPLICATIONS

Angled LED chrome fixtures provide softly angled light. Designed for bathrooms, kitchens, bulletin boards and above vanity mirrors.

FEATURES & BENEFITS

- ◆ Smooth white opal acrylic wraparound diffuser
- ◆ Single or continuous row mounting with optional contour band
- ◆ Post chrome plated steel housing is standard
- ◆ Optional white enamel finish available
- ◆ Optional switch available
- ◆ Every fixture individually tested
- ◆ ETL Listed
- ◆ Min CRI 80



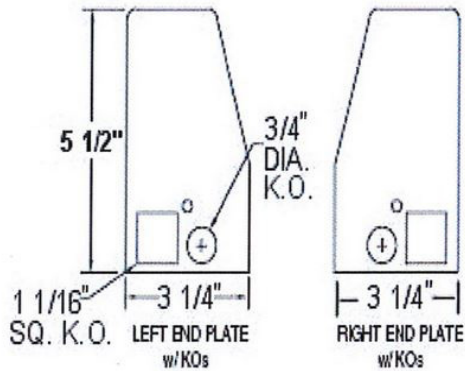
SPECIFICATIONS

Housing and ends are die-formed from cold rolled steel. Finish is post chrome plated on housing and end caps. One piece end caps fasten with single acorn type nut. Extruded white translucent acrylic diffuser provides soft illumination. Diffuser is retained by a grooved formation running the length of the fixture and is held in place by the end caps. Mounting holes are provided. Mounts over electrical junction box. Knockouts are provided for flexible conduit attachment. Optional decorative contour bands are available when units are row mounted.

ORDERING DATA

EXAMPLE: 741-24LED24DMV30

741		LED										
Series	Size	Gear	Wattage & Lumens		Housing	Driver*		Color Temp		Options		
741	24	24 inch	24 in		---	Chrome (std)	DMV	120-277V Multivolt	30	3000K	EM Emergency Battery Pack 10W ~1300 Lumens *Consult for 2 ft EM options	
	48	48 inch			WH	White	SDMV	0-10V Dimmable	35	3500K		
			LED	24	24 Watts 2250 Lumens					40		4000K
				28	28 Watts 2550 Lumens					50		5000K
				48 in				DHV	Multivolt			
				24	24 Watts 2250 Lumens				347-480VAC			
			48	48 Watts 4500 Lumens			D347V	0-10V Dimming				
			57	57 Watts 5100 Lumens			D120	347VAC				
							D277	0-10V Dimming				
								Triac Dimming				
								120VAC				
								Triac Dimming				
								277VAC				



Dimensions and specifications subject to change without notice.



◆ 800-444-WATT ◆ www.mobern.com ◆
8200 Stayton Dr., Ste. 500, Jessup, MD 20794

CAT#

JOB NAME

TYPE