

APPLICATIONS

Angled LED chrome fixtures provide softly angled light. Designed for bathrooms, kitchens, bulletin boards and above vanity mirrors.

FEATURES & BENEFITS

- ◆ Post chrome plated steel housing is standard
- ◆ Smooth white opal acrylic wraparound diffuser
- ◆ Single or continuous row mounting with optional contour band
- ◆ Highest quality long life LED
- ◆ Min CRI 82
- ◆ Double the life expectancy of fluorescent technology
- ◆ Optional white enamel finish available
- ◆ Every fixture individually tested
- ◆ ETL Listed for damp locations



SPECIFICATIONS

Housing and ends are die-formed from cold rolled steel. Finish is post chrome plated on housing and end caps. One piece end caps fasten with single acorn type nut. Extruded white translucent acrylic diffuser provides soft illumination. Diffuser is retained by a grooved formation running the length of the fixture and is held in place by the end caps. Mounting holes are provided. Mounts over electrical junction box. Knockouts are provided for flexible conduit attachment. Optional decorative contour bands are available when units are row mounted.

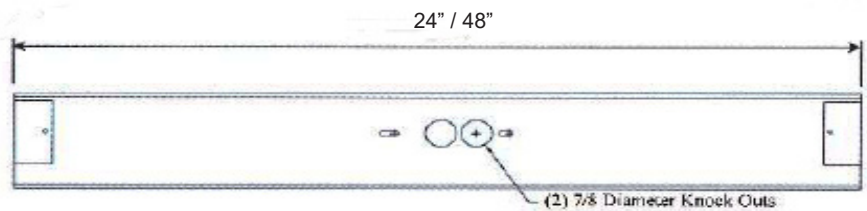
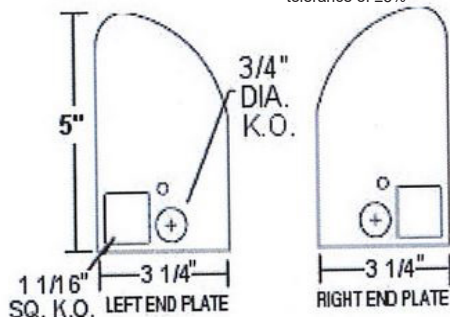
ORDERING DATA

EXAMPLE: 74-24LED24DMV30

Series	Size	Gear	Wattage & Lumens	Housing	Driver	Color Temp	Options
74	24 24 inch 48 48 inch	LED	2 ft. 24 24 Watts 2250 Lumens 28 28 Watts 2550 Lumens 4 ft. 24 24 Watts 2250 Lumens 48 48 Watts 4500 Lumens 57 57 Watts 5100 Lumens	--- Chrome (std) WH White	DMV 120-277V Multivolt 0-10V Dimmable SDMV Step dimming Multivolt DHV 347-480VAC 0-10V Dimming D347V 347VAC 0-10V Dimming D120 Triac Dimming 120VAC D277 Triac Dimming 277VAC	30 3000K 35 3500K 40 4000K 50 5000K	PS1 Single position pull chain Consult factory for options

ACCESSORY	
A99	Convenience outlet

Lumens are subject to a tolerance of ±10%
Wattage is approximate and subject to a tolerance of ±5%



Dimensions and specifications subject to change without notice.



◆ 800-444-WATT ◆ www.mobern.com ◆
8200 Stayton Dr., Ste. 500, Jessup, MD 20794

CAT#	
JOB NAME	TYPE