

APPLICATIONS

Commercial grade fluorescent channel fixture. For use in indoor applications such as coves, valances and display areas where continuous uniform row lighting without "socket end" dark spots is desired.

FEATURES & BENEFITS

- ◆ 3" offset design on staggered channel provides continuous band of illumination
- ◆ Available with two or four lamps
- ◆ Available in lengths from 24 to 96 inches - (2', 3', 4', 6', 8' lengths)
- ◆ Uses T5 or T8 lamps
- ◆ Available in 6' and 8' tandem
- ◆ **UL** listed for damp location

SPECIFICATIONS

Housing and ends are die-formed from cold rolled steel. Finish is high reflectance baked white enamel. Staggered units are created by use of two disjointed housings connected by means of a chase nipple. End caps may be removed for continuous row mounting. Listed by and bears **UL** label.



ORDERING DATA

EXAMPLE: 44SS 232 TAN MV B1

| Series | # of Lamps | Lamp Size | Ballast Type | Options |
|-------------|----------------------|--|--|--|
| 44SS | 1 1 Lamp 2 2 Lamp | 14 T5 22" 17 T8 24" 21 T5 34" 21TAN T5 2-34" tandem 24 T5HO 22" 25 T8 36" 25TAN 2-36" tandem 28 T5 46" 28TAN T5HO 46" 32 T8 48" 32TAN 2-48" tandem 39 T5HO 34" 39TAN 2-36" tandem 54 T5HO 46" | MV Multivolt 120 120 Volt 277 277 Volt R120 Residential 20V PMV Program Multivolt | B1 T8/T5 1L 500 Lumens Battery Backup (B11) B2 T8/T5 1L/2L 700 Lumens Battery Backup (B48) B3 T8/T5 1L/2L 1400 Lumens Battery Backup (B223) B51 T5HO 1L 500 Lumens Battery Backup (B625) B52 T5HO 1L 800 Lumens Battery Backup (B585) B53 T5HO 1L 1300 Lumens Battery Backup (B626) 11 Dual Ballasts 1 Lamp + 1 Lamp 21 Dual Ballasts 2 Lamp + 1 Lamp 22 Dual Ballasts 2 Lamp + 2 Lamp 31 Dual Ballasts 3 Lamp + 1 Lamp RIF Radio Interference filter |

Battery Backup (#) if ordering separately.
 *Call factory for additional options
 *Lamps purchased separately

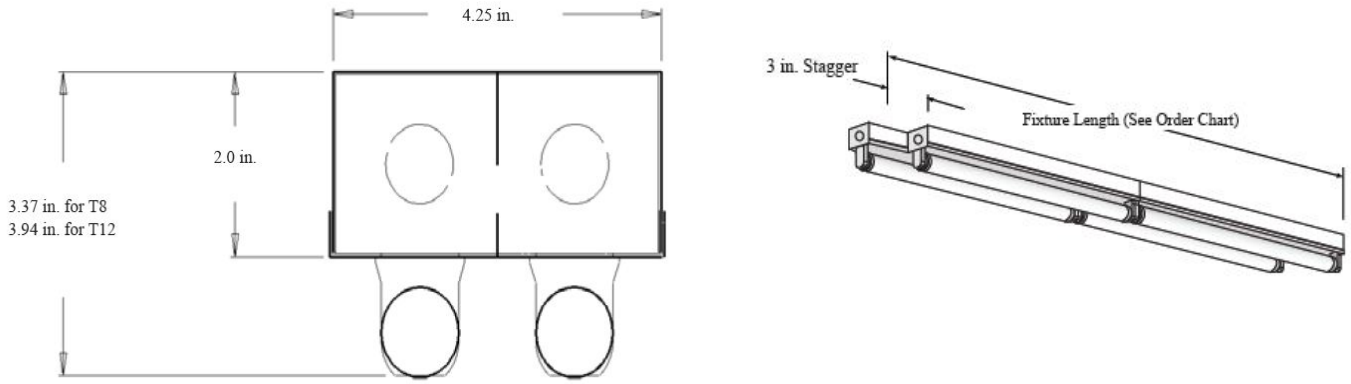
| Brands | | Performance Levels | | | |
|----------|------------------|--------------------|---|-------------------------------|-------------------------------|
| Code No. | Description | Ballast | | | |
| A | Advance | Manufacturer | Standard - Leave blank if no preference | High Efficiency Instant Start | High Efficiency Program Start |
| G | GE Ballast | Advance (A) | Centium ICN (A) | Optanium (AL, AN, AH) | Optanium PS (APL, APN ???) |
| L | Lutron | GE (G) | Proline GE (G) | UltraMax (GL, GN, GH) | UltraStart (GPL, GPH, GPH) |
| S | Sylvania Ballast | Osram/Sylvania (S) | Quicktronic Pro (S) | Quicktronic QHE (SL, SN, SH) | ProStart (SPL, SPN, SPH) |
| U | Universal | Universal (U) | ULT STD Electronic (U) | HP Electronic (UL, UN, UH) | AccuStart (UPI, UPN, UPH) |

Dimensions and specifications subject to change without notice.



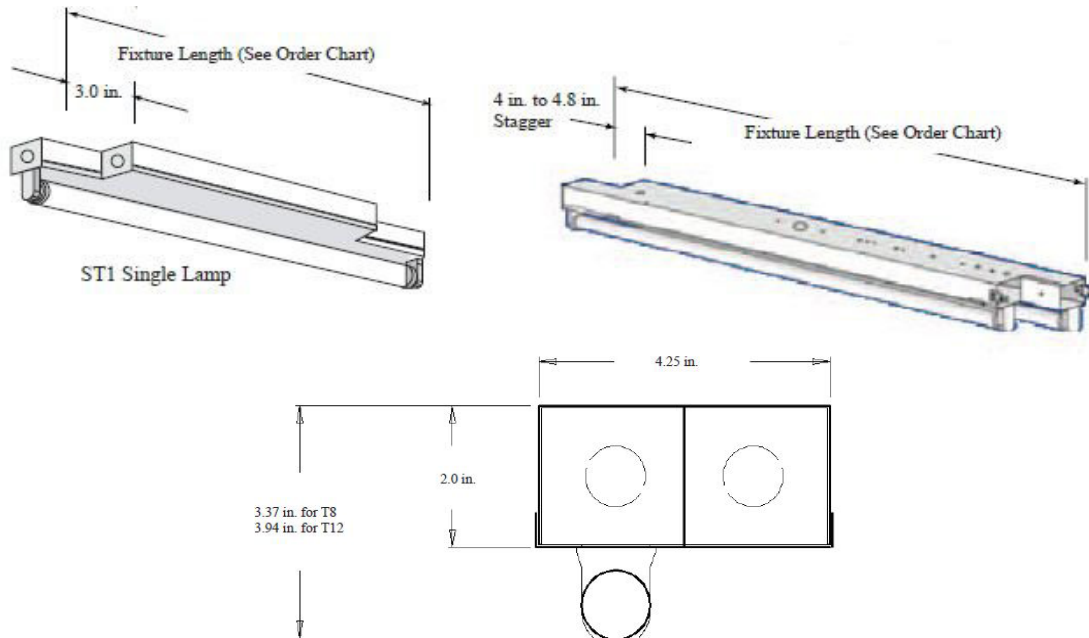
DIMENSIONS

END VIEWS



2 Light

END VIEW



ST1 Single Lamp

Dimensions and specifications subject to change without notice.



| | |
|----------|------|
| CAT# | |
| JOB NAME | TYPE |