

### APPLICATIONS

This low profile, strip fixture is sleek and contemporary with an architecturally forward design. It is available in multiple lengths and has the ability to be joined in continuous runs for the flexibility to work well in any environment. This fixture is a perfect fit for: schools, offices, conference rooms, designer studios, retail, hospitals, or any open concept area.

### FEATURES & BENEFITS

- ◆ L70 > 50,000 hrs.
- ◆ Min CRI 80
- ◆ Specially formulated frosted acrylic lens that provides high light transmission and excellent glare control
- ◆ Multiple lengths and lumen packages available
- ◆ <sub>C</sub>ETL<sub>US</sub> listed for damp locations
- ◆ 5 year warranty

### SPECIFICATIONS

Die-formed and welded 22 gauge cold rolled steel body with knockouts on ends allowing continuous row mounting. A 1/2" regressed flange at the bottom ensures uniformity and rigidity. Design housing with formed LED gear tray allows for uniform light and great distribution, putting light right where you need it.



### ORDERING DATA

**EXAMPLE: 42T48-LED30DMVWHFR30**

Series		Length		Gear	Driver <sup>1</sup>	Finish	Lens	Color Temp	Options
42T	48	48"		LED	DMV 120-277VAC 0-10V Dimmable	WH White BK Black SI Silver	FR Frosted Lens	30 3000K 35 3500K 40 4000K 50 5000K	EM 10W Emergency Battery Backup <b>Plug In System Options</b> PI1 3 wire harness, including white, black, and green PI2 4 wire harness, including white, black, green, and blue for emergency battery backup PI3D 5 wire harness, including white, black, green, violet, and gray
	96	96"							
<b>Wattage/ Lumens</b>									
<b>4 ft.</b>									
30	30 Watts	3150 Lumens							
38	38 Watts	3990 Lumens							
45	45 Watts	4700 Lumens							
<b>8 ft.</b>									
60	60 Watts	6300 Lumens							
75	75 Watts	7900 Lumens							
90	90 Watts	9450 Lumens							
					D347V 347VAC 0-10V Dimming				
					D120 Triac Dimming 120VAC				
					D277 Triac Dimming 277VAC				
					<sup>1</sup> Consult for Triac dimming				
					<sup>2</sup> See chart below for whip & cord ordering options				

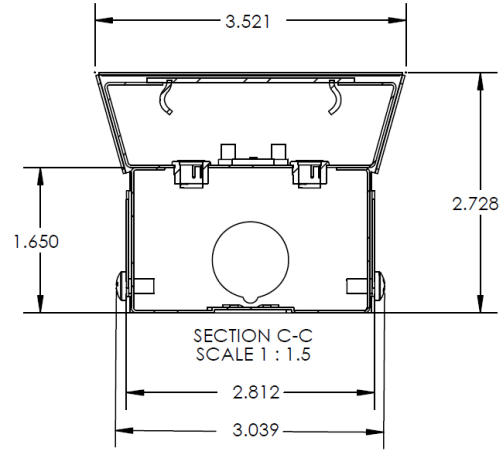
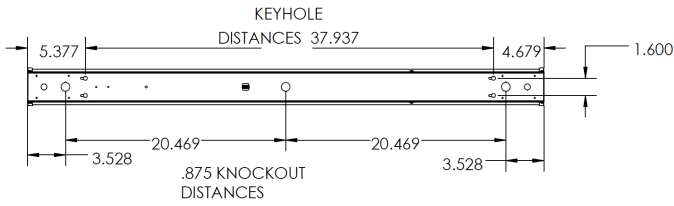
**Cord & Whip Ordering Chart (Add to End of Fixture Part Number)						
Part No.	# of Wires	Length	End Fitting	Finish	Voltage	Amps (TL Only)
WP - Whip	(Blank) 3 Wire	(Blank) 6 feet	(Blank) No Plug	BK - Black	(Blank) 120-277V	15 - 15 Amps
CS - Cordset	4 - 4 Wire	8 - 8 feet	P* - Standard Plug	WH - White	120 - 120V	20 - 20 Amps
	5 - 5 Wire	10 - 10 feet	TL* - Twist Lock		277 - 277V	
	6 - 6 Wire	12 - 12 feet			347 - 347V	
	6 - 6 Wire	15 - 15 feet				

Dimensions and specifications subject to change without notice.

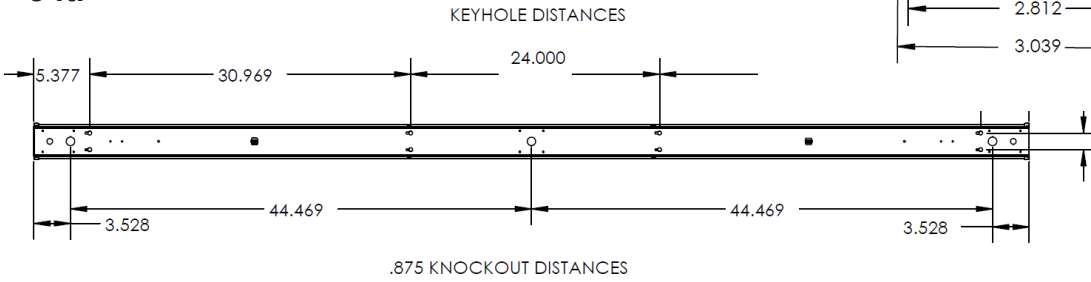


**DIMENSIONS**

**4 ft.**



**8 ft.**



Dimensions and specifications subject to change without notice.



◆ 800-444-WATT ◆ www.mobern.com ◆  
8200 Stayton Dr., Ste. 500, Jessup, MD 20794

CAT#	
JOB NAME	TYPE