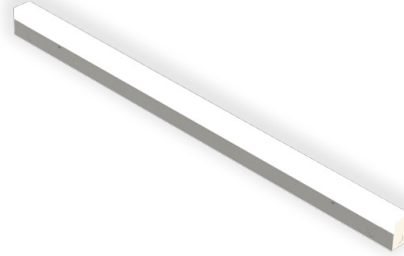


APPLICATIONS

Economical LED enclosed strip ideal for providing energy efficient lighting with low maintenance and long life. Highly engineered for quick installation with multiple knockouts, flip down ballast cover for easy wiring and specially designed lens tabs for lens installation. Lens is formulated to maximize light output and minimize direct glare LED image is visible but output is enhanced. Available in nominal 2', 4' and 8' versions for individual or continuous runs. White is standard finish but other power coating finish are available.



FEATURES & BENEFITS

- ◆ Fully assembled housing is formed and welded 22 gauge steel chemically treated to resist corrosion and enhance paint adhesion
- ◆ Surface or pendant mount-horizontal or vertical
- ◆ Available in white or other finishes
- ◆ Available with smooth frosted lens to maximize light output
- ◆ Multiple knockouts for easy installation
- ◆ Knockouts on back accept standard electrical fittings (by others) Consult factory for other options.

SIZE:
 24"L x 1.96"W x 2.93"D
 46"L x 1.96"W x 2.93"D
 92"L x 1.96"W x 2.93"D

ORDERING DATA

EXAMPLE: 42E-24LED12FRDMVWH30

42E		LED		FR					
Series	Length	Gear	Wattage/ Lumens	Lens	Driver	Finish	Color Temp		
42E	24 24" 48 48" 96 96"	LED	2 ft. 12 12 Watts 1200 Lumens 24 24 Watts 2600 Lumens 4 ft. 28 28 Watts 2700 Lumens 35 35 Watts 3400 Lumens 48 48 Watts 5100 Lumens 8 ft. 57 57 Watts 5400 Lumens 62 62 Watts 6200 Lumens 72 72 Watts 7000 Lumens 96 96 Watts 10200 Lumens	FR Frosted	DMV 0-10V Dimming 120-277VAC Multivolt FIDMV Factory installed 0-10V Dimming 120-277VAC Multivolt	WH White BK Black BN Brushed Nickel BZ Bronze	30 3000K 35 3500K 40 4000K 50 5000K		

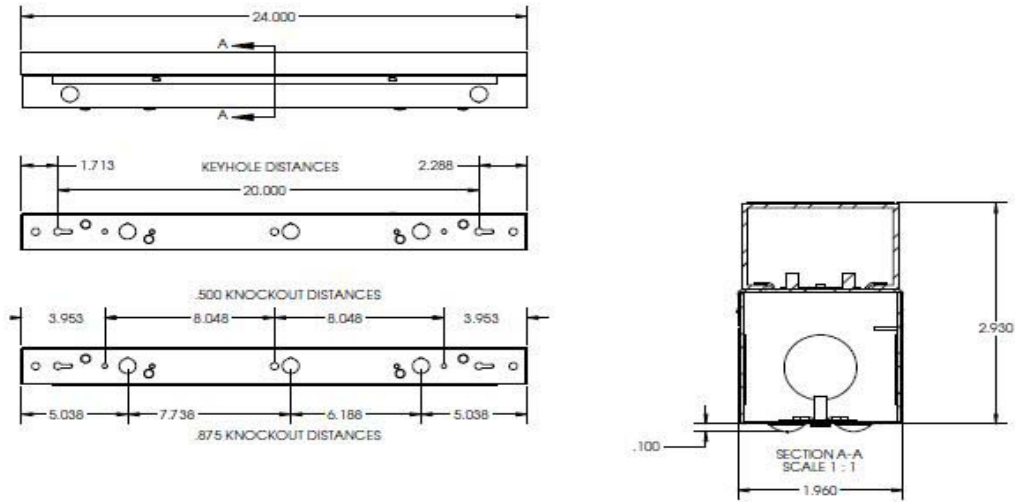
Dimensions and specifications subject to change without notice.



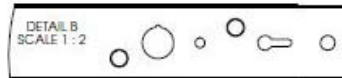
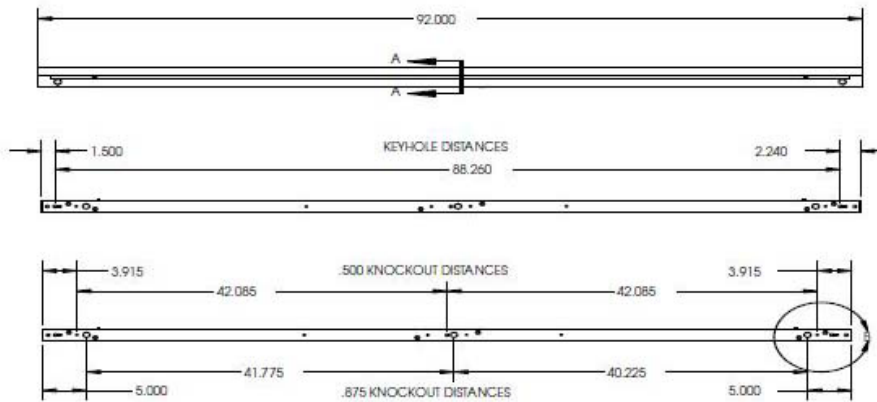
◆ 800-444-WATT ◆ www.mobern.com ◆
 8200 Stayton Dr., Ste. 500, Jessup, MD 20794

CAT#			
JOB NAME		TYPE	

2 FT. DIMENSION



8 FT. DIMENSION



Dimensions and specifications subject to change without notice.



◆ 800-444-WATT ◆ www.mobern.com ◆

8200 Stayton Dr., Ste. 500, Jessup, MD 20794

CAT#

JOB NAME

TYPE