

APPLICATIONS

Premium grade fluorescent narrow channel fixture. For use in indoor applications such as factories, warehouses, workshops, utility areas, coves and public buildings where industrial grade is required.

FEATURES & BENEFITS

- ◆ Snap-on components for easy assembly and maintenance
- ◆ Versatile end plate doubles as coupler for continuous row mounting
- ◆ Asymmetric and symmetric reflectors sold separately
- ◆ Available in lengths from 24 to 96 inches - (2', 3', 4', 8' lengths)
- ◆ Narrow body width 2 3/4" nominal
- ◆ Surface, stem or chain mountable
- ◆ Uses T5, T5HO or T8 lamps
- ◆ UL listed for damp location



SPECIFICATIONS

Housing is die-formed from cold rolled steel. Finish is high reflectance baked white enamel. Single wireway cover on non-tandem units. Knockouts are provided for stem mounting. Mounting holes are provided. Listed by and bears UL label.

ORDERING DATA

EXAMPLE: 42 132MVB1

42						
Series	# of Lamps	Lamp Type		Ballast Type		Options*
42 Premium Channel	1	15	18" T8	MV	Multivolt 120-277	B1 Battery backup 1 lamp
	2	17	24" T8	120	120 Volt	B2 Battery backup 2 lamp
		24	24" T5	277	277 Volt	+ 2 Ballasts
		25	36" T8	R120	Residential 120	RIF Radio Interference Filter
		28	46" T5	PMV	Program Multivolt	
		28TAN	46" TAN T5	DMV	Dimming MV	* Call for additional options
		32	48" T8	**LED	1 End Hot self driven LED tubes	**See chart below for whip & cord ordering options
		32TAN	2-48" TAN T8	**LED2E	2 End Hot self driven LED tubes	
		54	48" T5HO			
		54TAN	2-48" TAN T5HO			
					**Assembled with no ballast, made for UL Listed, self ballasted retrofit LED lamps	

**Cord & Whip Ordering Chart (Add to End of Fixture Part Number)

Part No.	# of Wires	Length	End Fitting	Finish	Voltage	Amps (TL Only)
WP - Whip	(Blank) 3 Wire	(Blank) 6 feet	(Blank) No Plug	BK - Black	(Blank) 120-277V	15 - 15 Amps
CS - Cordset	4 - 4 Wire	8 - 8 feet	P* - Standard Plug	WH - White	120 - 120V	20 - 20 Amps
	5 - 5 Wire	10 - 10 feet	TL* - Twist Lock		277 - 277V	
	6 - 6 Wire	12 - 12 feet			347 - 347V	
		15 - 15 feet			480 - 480V	

Dimensions and specifications subject to change without notice.



BALLAST OPTIONS

Brands

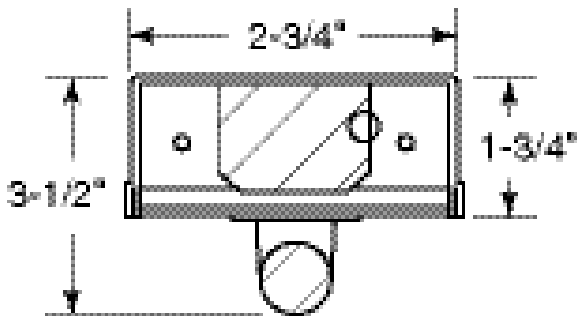
Code No.	Description
A	Advance
G	GE Ballast
L	Lutron
S	Sylvania Ballast
U	Universal

Performance Levels

Ballast			
Manufacturer	Standard	High Efficiency Instant Start	High Efficiency Program Start
Advance (A)	Centium ICN (A)	Optanium (AL, AN, AH)	Optanium PS (APL, APN)
GE (G)	Proline GE (G)	UltraMax (GL, GN, GH)	UltraStart (GPL, GPH, GPH)
Osram/Sylvania (S)	Quicktronic Pro (S)	Quicktronic QHE (SL, SN, SH)	ProStart (SPL, SPN, SPH)
Universal (U)	ULT STD Electronic (U)	HP Electronic (UL, UN, UH)	AccuStart (UPI, UPN, UPH)

DIMENSIONS

END VIEW



1 and 2 Lamp

Dimensions and specifications subject to change without notice.

