

APPLICATIONS

The 158 is a specification grade wall mount for "over-the-bed" applications and may also be used in bath, stairwells and offices. Its rectangular shape provides a clean, crisp profile.

FEATURES & BENEFITS

- ◆ Optional dividers, front baffles and dual ballasts
- ◆ Clean, crisp profile
- ◆ Up and down light are individually controlled.
- ◆ Min CRI 82
- ◆ _cETL_{us} listed



SPECIFICATIONS

Housing is die-formed and embossed code 22 gauge steel. Standard finish is high reflectance baked white enamel; custom finishes are available as an option. Wiring knockouts are provided on back of housing. The clear, ribbed lens is fully captured by the end plate. End cap is held in place with acorn nuts.

ORDERING DATA

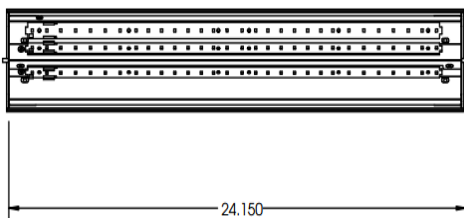
EXAMPLE: 158- 24LED1U1D24DMV40

158		LED							
Series	Size	Gear	LED Distribution	Wattage / Lumens		Baffle		Color Temp	
158	24 24 inches 48 48 inches	LED	<u>2ft.</u> 1U1D - 1 row up, 1 row down 1U2D - 1 row up, 2 rows down 2U1D - 2 rows up, 1 row down	24 36 48	24 Watts 36 Watts 48 Watts	2665 Lumens 3997 Lumens 5330 Lumens	(blank) No baffle BAF Front baffle	30 3000K 35 3500K 40 4000K 50 5000K	EM 10W 1300 Lumen Battery backup PS1 Single position pull chain PS3 Three position pull chain WP 6' Whip 3 Wire Consult factory for options
			<u>4ft.</u> 1U1D - 1 row up, 1 row down 1U2D - 1 row up, 2 rows down 2U1D - 2 rows up, 1 row down	48 72 97	48 Watts 72 Watts 97 Watts	5330 Lumens 8100 Lumens 10660 Lumens			

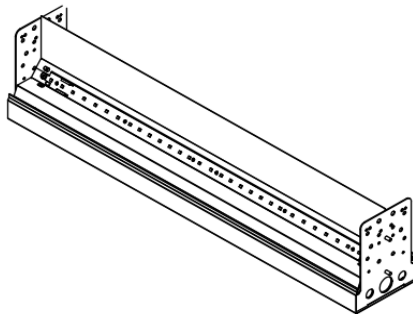
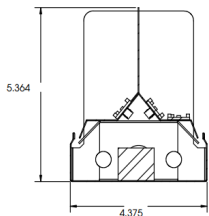
Driver

- DMV 120-277V Multivolt
0-10V Dimmable
- SDMV Step dimming
Multivolt
- DHV 347-480VAC
0-10V Dimming
- D347V 347VAC
0-10V Dimming
- D120 Triac Dimming
120VAC
- D277 Triac Dimming
277VAC

DIMENSIONS



End View



Dimensions and specifications subject to change without notice.



◆ 800-444-WATT ◆ www.mobern.com ◆
8200 Stayton Dr., Ste. 500, Jessup, MD 20794

CAT#

JOB NAME

TYPE