

### APPLICATIONS

Typical applications for the 155SWR SmartSense Series include stairwells, open office cubicles, offices, conference rooms, restrooms and hallways. This technology also provides superior detection in hard surfaced areas, such as stairwells and hallways. Bi-level lighting control is available and can result in even more energy savings for fixtures that are on 24/7, while still providing the light needed for safety and egress.

#### SIZE: H x W in inches

155SWR-24 3.5" Deep x 4.5" Tall x 24.25" Long  
155SWR-48 3.5" Deep x 4.5" Tall x 46.25" Long

### SPECIFICATIONS

Housing is die-formed and embossed code 22 gauge steel. Standard finish is high reflectance baked white enamel; custom finishes are available as an option. Wiring knockouts are provided on back of housing. The frosted lens is fully captured by the end plate. Custom finishes and Emergency backup available. Contact factory for custom options. cETL<sub>US</sub> Listed for damp locations. Min CRI 82.



Ultrasonic technology for open area detection with line-of-sight obstructions.

### ORDERING DATA

EXAMPLE: 155SWR24LED14DMV30-50

155SWR		LED		DMV			Options	
Series	Size	Gear	Wattage/Lumens	Driver Type	Color Temp			
155SWR	24 24 inch 48 48 inch	LED	<u>24 Inch</u> 14 14 Watts 1400 Lumens 27 27 Watts 2700 Lumens <u>48 Inch</u> 36 36 Watts 3600 Lumens 57 57 Watts 5700 Lumens	DMV 0-10V Dimming Multivolt 120-277VAC	30 3000K 35 3500K 40 4000K 50 5000K	EM 10W, 1300 lumen, battery backup EM5 5W, 650 lumen, battery backup		

#### Unoccupied Setting

-10	10%
-20	20%
-30	30%
-40	40%
-50	50%
-60	60%
-70	70%
-80	80%
-90	90%

\*Consult for other wattages

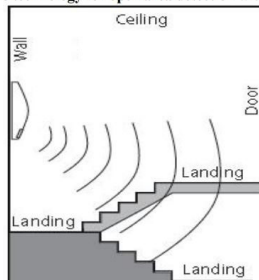
### ABOUT SMARTSENSE

Our popular 155SWR series linear LED fixtures come standard with integral ultrasonic occupancy sensor to sense motion within a space and automatically turns on lights even when the sensor has no direct line of sight to occupants. After the area is vacated and the time delay has elapsed, the sensors automatically dim the lights. Ultrasonic detection operates by transmitting sound waves throughout an area and measuring the speed at which they return. Movement increases the return frequency, which triggers occupancy. Mobern Lighting's Ultrasonic smartensors provide functions for testing, time delay and overriding the fixture "ON".

### APPLICATIONS FOR SMART SENSE

Typical applications for this SmartSense Series include stairwells, open office cubicles, offices, conference rooms, restrooms and hallways. This technology also provides superior detection in hard surfaced areas, such as stairwells and hallways. Bi-level lighting can result in up to 66% energy savings for fixtures that are on 24-hours a day, seven days a week while still providing enough light for safety and egress.

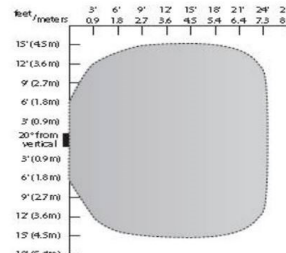
Ultrasonic technology for open area detection with line-of-sight obstructions.



#### FEATURES

Time Delay: 5 to 30 minutes  
Coverage at 8' height; 24' diameter

#### WIRING & COVERAGE



Dimensions and specifications subject to change without notice.

◆ 800-444-WATT ◆ www.mobern.com ◆

8200 Stayton Dr., Ste. 500, Jessup, MD 20794

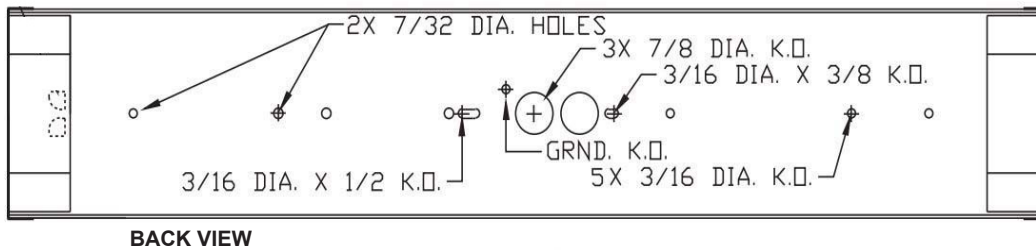
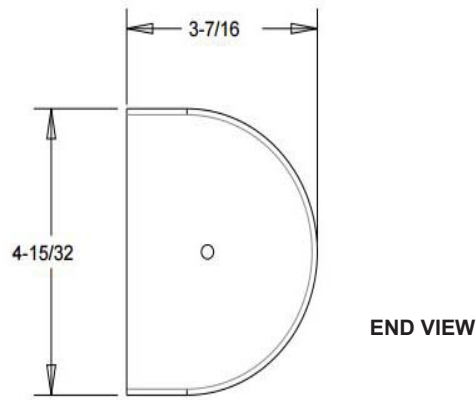
CAT#

JOB NAME

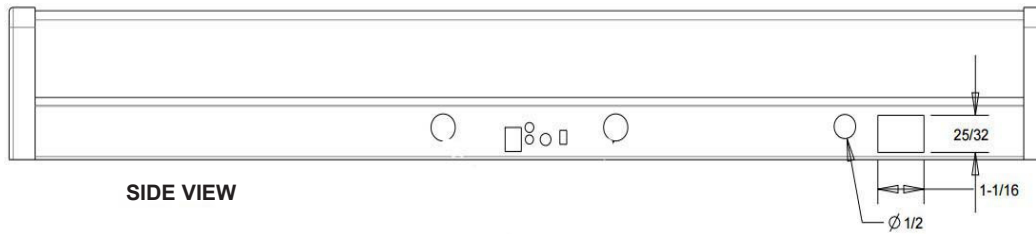
TYPE

### DIMENSIONS

LED	
	LENGTH
A	24 1/4
A	46 1/4



BACK VIEW



SIDE VIEW

Dimensions and specifications subject to change without notice.

