



**TECHNICAL INFORMATION**

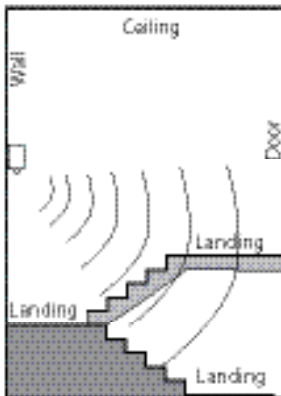
SmartSense Fixtures that light only when you need them

1 light always on and 2 lights on when occupied

Ultrasonic technology for open area detection with line-of-sight obstructions

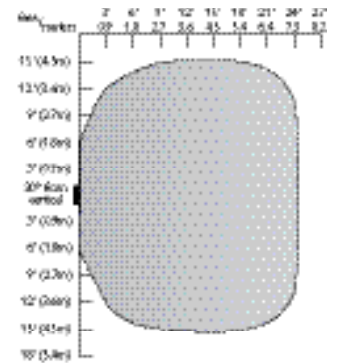
**Applications**

155SW w/ Wattstopper FS-505 Mounted in Stairwell



**Wiring & Coverage**

Coverage Patterns @ 8 ft. Mounting Height



FS-505

**Features**

Time Delay: 5 to 30 minutes  
Coverage at 8' height: 24' diameter

Dimensions and specifications subject to change without notice.



◆ 800-444-WATT ◆ [www.mobern.com](http://www.mobern.com) ◆

8200 Stayton Dr., Ste. 500, Jessup, MD 20794

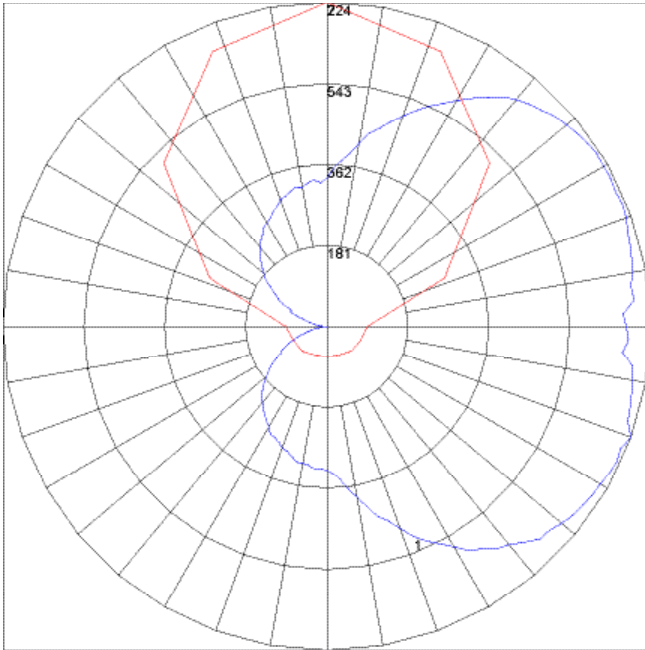
CAT#

JOB NAME

TYPE

**PHOTOMETRICS**

IES INDOOR REPORT  
PHOTOMETRIC FILENAME : 155232MV.IES

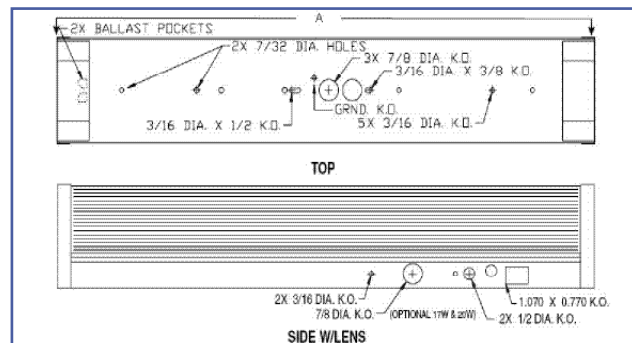
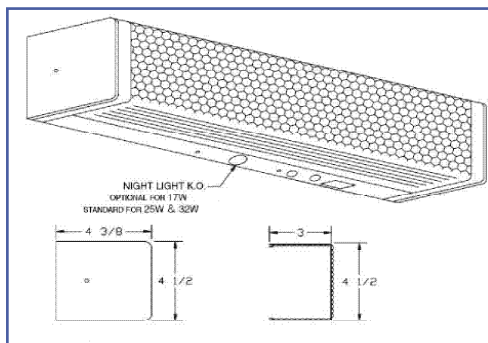


Maximum Candela = 724 Located At Horizontal Angle = 90, Vertical Angle = 70  
# 1 - Vertical Plane Through Horizontal Angles (90 - 270) (Through Max. Cd.)  
# 2 - Horizontal Cone Through Vertical Angle (70) (Through Max. Cd.)

**CHARACTERISTICS**

Lumens Per Lamp	2900 (2 lamps)
Total Lamp Lumens	5800
Luminaire Lumens	3705
Total Luminaire Efficiency	64 %
Luminaire Efficacy Rating (LER)	64
Total Luminaire Watts	58
Ballast Factor	1.00
CIE Type General	Diffuse
Spacing Criterion (0-180)	N.A.
Spacing Criterion (90-270)	N.A.
Spacing Criterion (Diagonal)	N.A.
Basic Luminous Shape	Rectangular w/Sides
Luminous Length (0-180)	4.00 ft
Luminous Width (90-270)	0.13 ft
Luminous Height	0.35 ft

**DIMENSIONS**



Dimensions and specifications subject to change without notice.



◆ 800-444-WATT ◆ www.mobern.com ◆

8200 Stayton Dr., Ste. 500, Jessup, MD 20794

CAT#

JOB NAME

TYPE

### OPTIONS & ACCESSORIES

#### BALLAST OPTIONS

Brands		Performance Levels			
Code No.	Description	Ballast			
A	Advance	Manufacturer	Standard - Leave blank if no preference	High Efficiency Instant Start	High Efficiency Program Start
G	GE Ballast	Advance (A)	Centium ICN (A)	Optanium (AL, AN, AH)	Optanium PS (APL, APN)
L	Lutron	GE (G)	Proline GE (G)	UltraMax (GL, GN, GH)	UltraStart (GPL, GPH, GPH)
S	Sylvania Ballast	Osram/Sylvania (S)	Quicktronic Pro (S)	Quicktronic QHE (SL, SN, SH)	ProStart (SPL, SPN, SPH)
U	Universal	Universal (U)	ULT STD Electronic (U)	HP Electronic (UL, UN, UH)	AccuStart (UPI, UPN, UPH)

#### OPTIONS & ACCESSORIES

<b>B1</b>	T8/T5 1L 500 Lumens Battery Backup (B11)
<b>B2</b>	T8/T5 1L/2L 700 Lumens Battery Backup (B48)
<b>B3</b>	T8/T5 1L/2L 1400 Lumens Battery Backup (B223)
<b>B4</b>	T8/T5 1L/2L 3000 Lumens Battery Backup (B510)
	*Remote mount only
<b>B51</b>	T5HO 1L 500 Lumens Battery Backup (B625)
<b>B52</b>	T5HO 1L 800 Lumens Battery Backup (B585)
<b>B53</b>	T5HO 1L 1300 Lumens Battery Backup (B626)
<b>11</b>	Dual Ballasts 1 Lamp + 1 Lamp
<b>21</b>	Dual Ballasts 2 Lamp + 1 Lamp
<b>22</b>	Dual Ballasts 2 Lamp + 2 Lamp
<b>31</b>	Dual Ballasts 3 Lamp + 1 Lamp
<b>RIF</b>	Radio Interference Filter
<b>OA</b>	Opal Acrylic Lens

\*Lamps can be sold and shipped on side Order separately A96 (Contour Band) Call for additional options

Dimensions and specifications subject to change without notice.



◆ 800-444-WATT ◆ www.mobern.com ◆

8200 Stayton Dr., Ste. 500, Jessup, MD 20794

CAT#

JOB NAME

TYPE