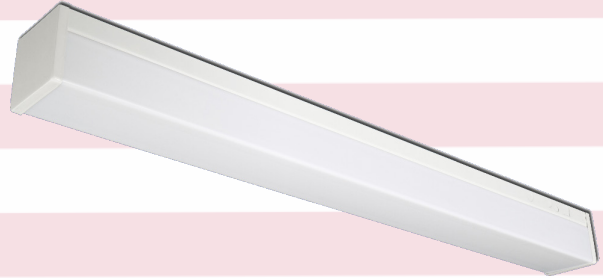


APPLICATIONS

This stylish ceiling/wall mounted luminaire is available in either white or walnut finish with a variety of LED combinations and sizes enhanced by linear sided acrylic diffuser. The 155PLED is designed for baths, kitchens, rec rooms, corridors, aisles, stairways, over or beside mirrors, over bulletin boards, in vanities, and in displays.

FEATURES & BENEFITS

- ◆ Back plate provided with adequate knockouts and mounting holes for either wall or ceiling installation
- ◆ Clear acrylic prismatic lens with linear ribbed sides standard
- ◆ Made with US Steel
- ◆ Min CRI 80
- ◆ ^cETL_{US} Listed for damp locations
- ◆ Overlapping end caps for uniformity and dimensional stability
- ◆ BAA/ARRA Compliant



SPECIFICATIONS

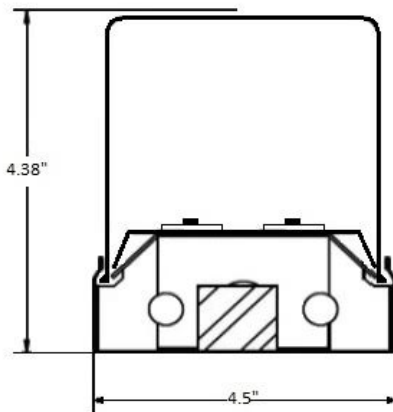
All metal parts are die formed from heavy gauge cold rolled steel with overlapping end caps. The diffuser is linear sided prismatic lens of extruded acrylic for controlled light.

ORDERING DATA

EXAMPLE: 155-24PLED22DMV35

Series	Length	Suffix	Gear	Wattage / Lumens	Driver	Color Temp	Options
155	24 24" 48 48"	P (Professional)	LED	2 ft. 22 22 Watts 2650 Lumens 4 ft. 37 37 Watts 4520 Lumens	DMV 120-277 VAC 0-10V Dimmable	30 3000K 35 3500K 40 4000K 50 5000K	WP 6' whip, 3 wire EM 10W, 1200 Lumen Battery backup EM5 5W, 600 Lumen Battery backup EM7 7W, 840 Lumen Battery backup EM4F Emergency Battery Pack, 4W ~450 Lumens OA Opal acrylic lens

DIMENSIONS



Values based on ambient temp of 25°C and 4000K
 Lumens are subject to a tolerance of ± 10%
 Wattage is approximate and subject to a tolerance of ± 5%
 Dimensions and specifications subject to change without notice.

* Consult for other options

